

Technical data :	
Rated voltage	48 V AC/DC
Rated current	4 A
Insulation resistance	> 100 MΩ
Ambient temperature range	-25...70 °C

Protection :	
Protection degree	IP65

"WAV" straight male connector :	
Receptacle material	CuZn, nickel-plated
Anodized aluminium hood	
Contact diameter	Ø1 mm
Contact material	CuZn, pre-plated with nickel and gold-plated
Contact resistance	< 5 mΩ
Ground contact (H) connected to metal body of connector	

M23 straight female connector :	
Locking nut/screw material	CuZn, nickel-plated
Overmoulding material	TPU, self-extinguishing
Contact diameter	16 x Ø1 mm + 3 x Ø1,5 mm
Contact material	CuZn, pre-plated with nickel and gold-plated
Contact resistance	< 5 mΩ
Ground contact (N°12) connected to metal body of connector	

Cable characteristics :	
Sheath material	Halogen free PUR
Wire structure	3 G 1 mm <sup>2</sup> + 16 x 0,34 mm <sup>2</sup>
Conductor class	6
Sheath diameter	10,9 mm
Flame resistance according to	IEC 60332-1 (VDE 0472-804/B)
Oil resistance according to	EN 50363 & IEC 60811-2-1 & CNOMO

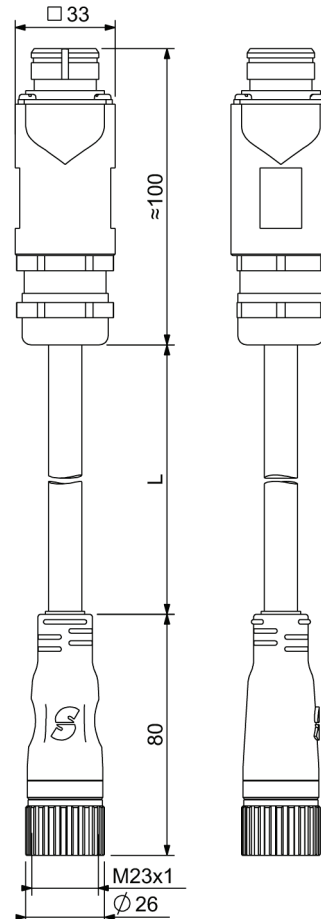
Cable length :	
L length	0,1 m
Other length	On request

## LAV2319MLL0015

Specific



### Dimensions :



### Wiring diagram :

