

Technical data :

Rated voltage	60 V AC/DC
Rated current	4 A
Insulation resistance	> 1000 MΩ
Ambient temperature range	-40...90 °C

Protection :

Protection degree	IP67
-------------------	------

T connector (1 x M12 male + 2 x M8 female) :

Locking nut/screw material	Zamak/Laiton
Zamak/Laiton, nickelé et Laiton, téflonisé noir	
Overmoulding material	TPU, self-extinguishing
Contact diameter	Ø1 mm
Contact material	CuZn, pre-plated with nickel and gold-plated
Contact resistance	< 5 mΩ
Fixing possible with CHC M4 screws (not supplied)	

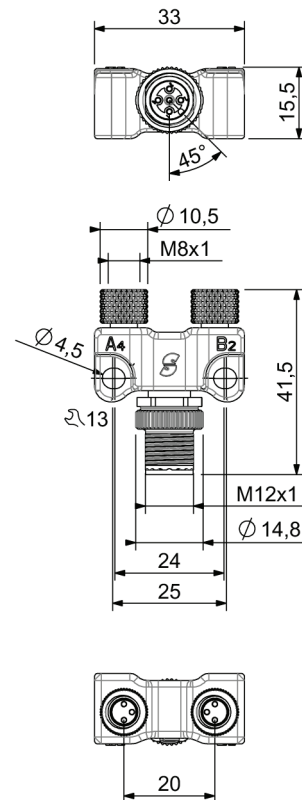
Accessories (not included) :

- Riser shim (SCT)
- Spot welding protection sleeve (MT08)

L8V/3MLLDTS
 Welding environment



Dimensions :



Wiring diagram :

