

Technical data :	
Operating voltage	10...30V DC
Rated current	4 A
Insulation resistance	> 1000 MΩ
Ambient temperature range	-25...70 °C

Protection :	
Protection degree	IP67

M8 straight male connector :	
Locking nut/screw material	CuZn, nickel-plated
Overmoulding material	TPU, self-extinguishing
Contact diameter	Ø1 mm
Contact material	CuZn, pre-plated with nickel and gold-plated
Contact resistance	< 5 mΩ

M12 angled female connector (LEDs) :	
Locking nut/screw material	Zamak, nickel-plated
Overmoulding material	TPU, self-extinguishing
Contact diameter	Ø1 mm
Contact material	CuZn, pre-plated with nickel and gold-plated
Contact resistance	< 5 mΩ
LED(s) colour	LEDs (YE / GN)
Compatibilité LED(s)	PNP
Current consumption per LED	< 5 mA

Status indication :	
Signal (4)	Yellow LED
Power	Green LED

Cable characteristics :	
Sheath material	PVC
Wire structure	3 x 0,34 mm ²
Conductor class	6
Sheath diameter	5 mm
Flame resistance according to	IEC 60332-1 (VDE 0472-804/B)
Oil resistance according to	CNOMO E03.40.150.N

Cable length :	
L standard lengths	1 m / 2 m / 5 m / 10 m
Other length	On request

Reference : replace «...» by length required: 1/2/5/10

Accessories (included) :	
2 label holders	

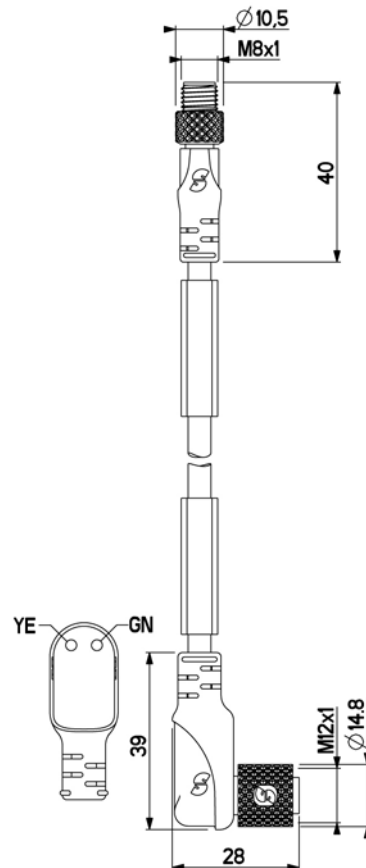
L8V12/3MLP...1

Industrial automation



RoHS

Dimensions :



Wiring diagram :

