

**Technical data :**

|                           |             |
|---------------------------|-------------|
| Rated voltage             | 600 V AC/DC |
| Rated current             | 8 A         |
| Insulation resistance     | > 100 MΩ    |
| Ambient temperature range | -20...80 °C |

**Protection :**

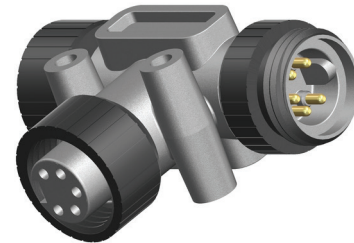
|                   |      |
|-------------------|------|
| Protection degree | IP67 |
|-------------------|------|

**T connector (7/8" Female - 7/8" Female - 7/8" Male) :**

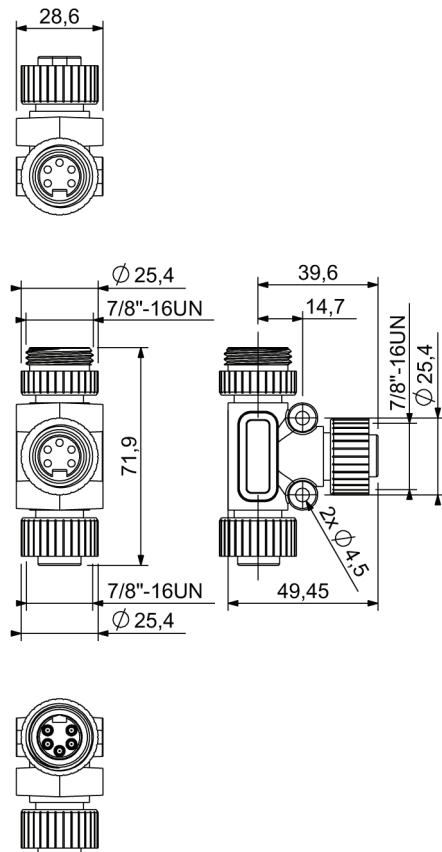
|   |                   |
|---|-------------------|
| Locking nut/screw material                        | Zamak             |
| Overmoulding material                             | TPC               |
| Contact diameter                                  | Ø1,98 mm          |
| Contact material                                  | CuZn, gold-plated |
| Fixing possible with CHC M4 screws (not supplied) |                   |

## L78/5MLLDTA

Specific



**Dimensions :**



**Wiring diagram :**

