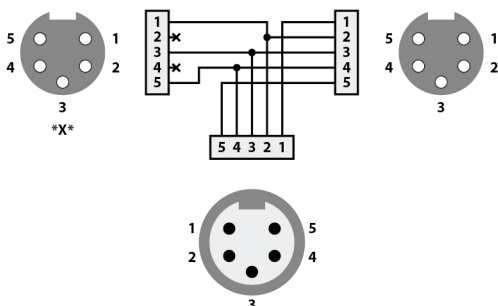


Technical data :	
Rated voltage	48 V AC/DC
Rated current	6 A
Insulation resistance	> 100 MΩ
Ambient temperature range	-25...70 °C
Protection :	
Protection degree	IP65
7/8" straight male connector :	
Locking nut/screw material	PA
Overmoulding material	TPU, self-extinguishing
Contact diameter	Ø1,98 mm
Contact material	CuZn, pre-plated with nickel and gold-plated
Contact resistance	< 5 mΩ
Y connector :	
Overmoulding material	TPU, self-extinguishing
7/8" straight female connector (2x) :	
Locking nut/screw material	PA
Overmoulding material	TPU, self-extinguishing
Contact diameter	Ø1,98 mm
Contact material	CuZn, pre-plated with nickel and gold-plated
Contact resistance	< 5 mΩ
Cable characteristics :	
Sheath material	PVC
Wire structure	5 x 0,50 mm ²
Conductor class	5
Sheath diameter	6,8 mm
Cable length :	
L length	0,2 m
L1 length	0,2 m
L2 length	0,5 m
Accessories (not included) :	
L230678MLLIM015	

Notes

X : Coloured marker
Markers in PVC mounted in the label holder : REALIM

Wiring diagram :



Dimensions :

