

Technical data :

Rated voltage	600 V AC/DC
Rated current	8 A
Insulation resistance	> 100 MΩ
Ambient temperature range	-20...80 °C

Protection :

Protection degree	IP67
-------------------	------

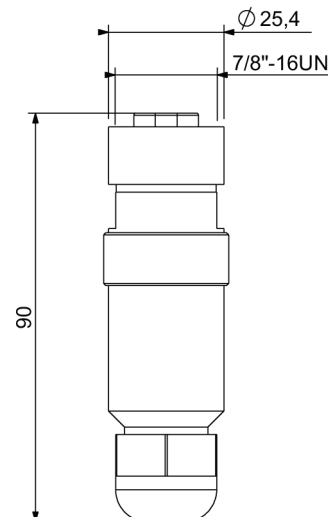
7/8" female connector :

Locking nut/screw material	CuZn, nickel-plated
Contact diameter	Ø1,98 mm
Contact material	CuZn, gold-plated
Connection type	Screw connection (0,25...1,5 mm ²)
Hood material	PA
Cable gland	5,1...11,4 mm

L78/5L01
 Specific



Dimensions :



Pin assignment :

