

Technical data :

Rated voltage	240 V DC
Rated current	12 A
Insulation resistance	> 1000 MΩ
Ambient temperature range	-40...85 °C

Protection :

Protection degree	IP67
-------------------	------

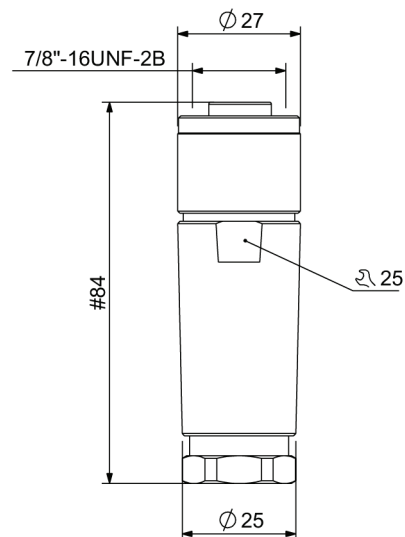
7/8" female connector :

Locking nut/screw material	Anodized aluminium
Contact diameter	Ø1,98 mm
Contact material	CuZn, silver and gold-plated
Contact resistance	< 5 mΩ
Connection type	Screw connection (max. 1 mm ²)
Hood material	PA
Cable gland	8...10 mm

L78/3L01PG11
 Industrial automation



Dimensions :



Pin assignment :

