

Technical data :

Rated voltage	48 V AC/DC
Rated current	4 A
Insulation resistance	> 100 MΩ
Ambient temperature range	-25...70 °C
Protection degree	IP65

Male receptacle («series 28») :

Receptacle material	CuZn, nickel-plated
Contact diameter	25 x Ø1 mm
Contact material	CuZn, pre-plated with nickel and gold-plated
Contact resistance	< 5 mΩ
Contact arrangement according to UTE C93-422-L2	

Cable characteristics :

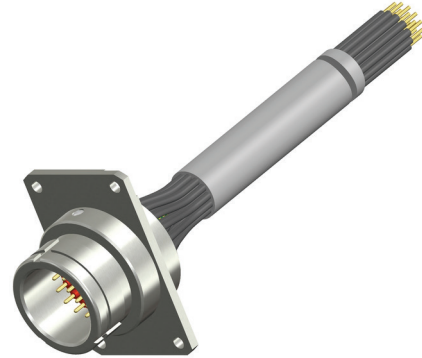
Sheath material	PUR
Wire structure	25 G 0,50 mm ²
Conductor class	6
Sheath diameter	13,6 mm
Oil resistance according to IEC 60811-404 (VDE 0473-811-404)	
Drag chain suitable	
Minimum static bending radius : 5 x Ø	
Minimum dynamic bending radius : 10 x Ø	

Cable length :

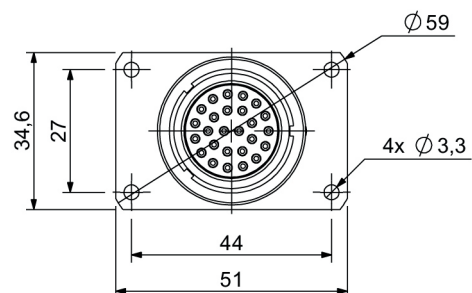
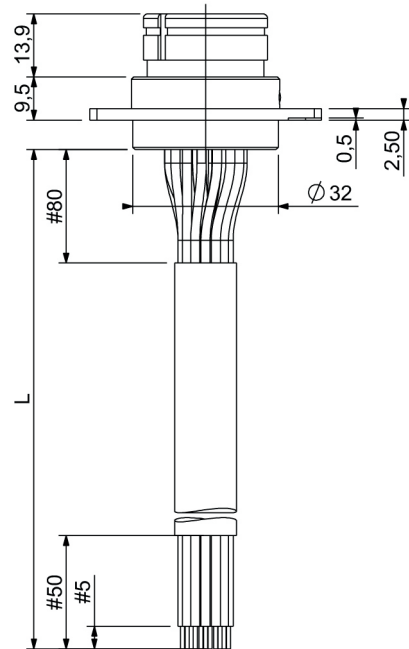
L length	1 m
Other length	On request

L2826EME012

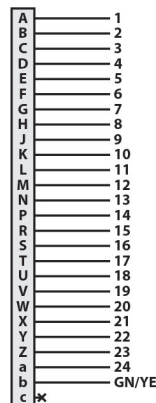
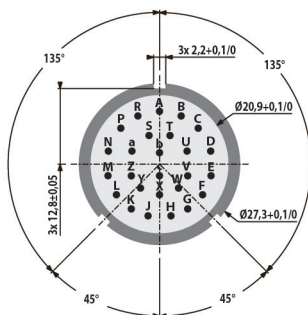
Press tools



Dimensions :



Wiring diagram :



For uses in particularly harsh environments: Please enquire

We reserve the right to modify all or part of characteristics of our products without warning.

Printed on:

17 oct. 2024