

Technical data :

Rated voltage	48 V AC / 60 V DC
Rated current	4 A
Insulation resistance	> 100 MΩ
Ambient temperature range	-20...70 °C

Protection :

Protection degree	IP65
-------------------	------

M27 female connector :

Locking nut/screw material	CuZn, nickel-plated
Crimping contacts	
Contact diameter	28 x Ø1 mm
Contact material	CuZn, pre-plated with nickel and gold-plated
Contact resistance	< 5 mΩ
Ground contact (N°8) connected to metal body of connector	
8 connector angles possible (8 x 45°)	
Crimping range: 0,25...1 mm ² (Øwire : 2,3 mm max.)	
Contacts retention : > 25 N	

Straight/angled Hood :

Hood material : CuZn, nickel-plated
Cable gland : cable diameter 9...17 mm
Protective sheathing (packaging)

Accessories (not included) :

Crimping pliers + adapter (YP1 + YE1)

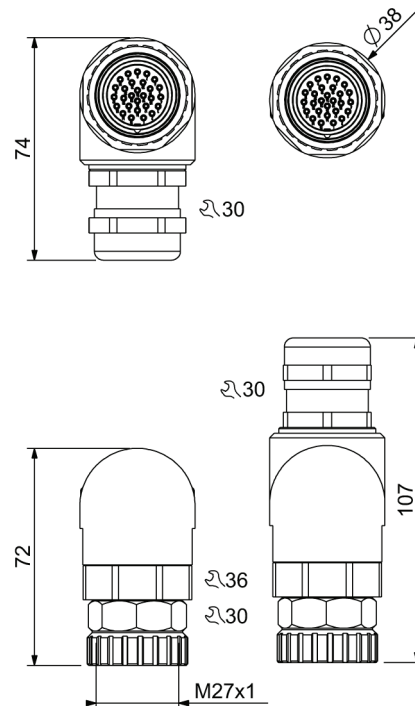
L2728V01

Industrial automation



RoHS

Dimensions :



Pin assignment :

