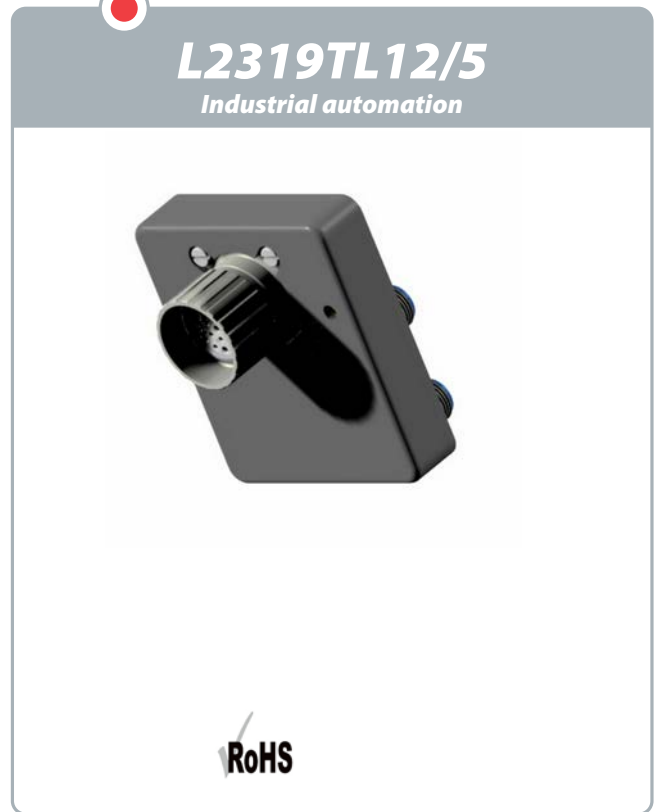
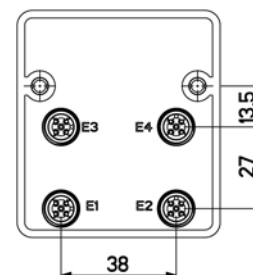
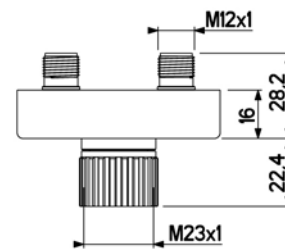
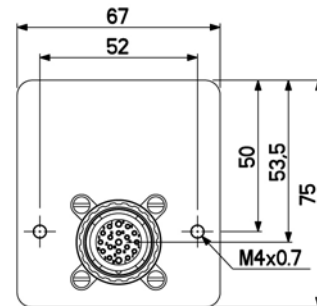


Technical data :	
Operating voltage	10...30V DC
Rated current	2 A per signal / 10 A max. total
Insulation resistance	> 100 MΩ
Ambient temperature range	0...60 °C
Protection :	
Protection degree	IP67
M23 female receptacle :	
Mounting type	Internal screwing
Receptacle material	CuZn, nickel-plated
Locking nut/screw material	CuZn, nickel-plated
Contact diameter	16 x Ø1 mm + 3 x Ø1,5 mm
Contact material	CuZn, pre-plated with nickel and gold-plated
Contact resistance	< 5 mΩ
Ground contact (N°12) connected to metal body of connector	
M12 male receptacle :	
Receptacle material	CuZn, nickel-plated
Contact diameter	Ø1 mm
Contact material	CuZn, pre-plated with nickel and gold-plated
Contact resistance	< 5 mΩ
Materials :	
Housing	PA
Accessories (included) :	
1 protection cap for each M12 socket	



Dimensions :



Wiring diagram :

