

**Technical data :**

Operating voltage	10...30V DC
Rated current	2 A per signal / 10 A max. total
Insulation resistance	> 100 MΩ
Ambient temperature range	0...60 °C

**Protection :**

Protection degree	IP67
-------------------	------

**M23 female receptacle :**

Mounting type	Internal screwing
Receptacle material	CuZn, nickel-plated
Locking nut/screw material	CuZn, nickel-plated
Contact diameter	16 x Ø1 mm + 3 x Ø1,5 mm
Contact material	CuZn, pre-plated with nickel and gold-plated
Contact resistance	< 5 mΩ
Ground contact (N°12) connected to metal body of connector	

**M12 male receptacle :**

Receptacle material	CuZn, nickel-plated
Contact diameter	Ø1 mm
Contact material	CuZn, pre-plated with nickel and gold-plated
Contact resistance	< 5 mΩ

**Materials :**

Housing	PA
---------	----

**Accessories (included) :**

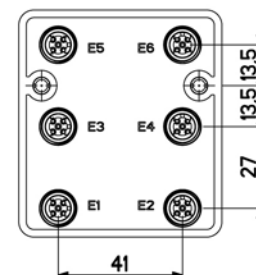
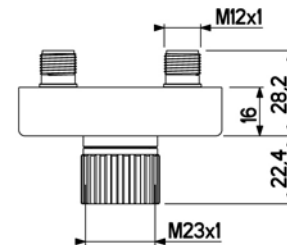
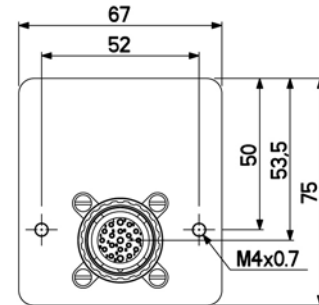
1 protection cap for each M12 socket

## L2319TL126/5

Industrial automation



**Dimensions :**



**Wiring diagram :**

