

Technical data :

| | |
|---------------------------|----------------------------|
| Rated voltage | 60 V DC |
| Rated current | 6 A (Ø1mm) / 10 A (Ø1,5mm) |
| Insulation resistance | > 100 MΩ |
| Ambient temperature range | -40...90 °C |

Protection :

| | |
|-------------------|------|
| Protection degree | IP65 |
|-------------------|------|

M23 angled female connector :

| | |
|--|--|
| Locking nut/screw material | CuZn, nickel-plated |
| Overmoulding material | TPU, self-extinguishing |
| Contact diameter | 16 x Ø1 mm + 3 x Ø1,5 mm |
| Contact material | CuZn, pre-plated with nickel and gold-plated |
| Contact resistance | < 5 mΩ |
| Ground contact (N°12) connected to metal body of connector | |

Cable characteristics :

| | |
|-------------------------------|---|
| Sheath material | Halogen free PUR |
| Wire structure | 3 G 1 mm ² + 16 x 0,34 mm ² |
| Conductor class | 6 |
| Sheath diameter | 10,9 mm |
| Flame resistance according to | IEC 60332-1 (VDE 0472-804/B) |
| Oil resistance according to | EN 50363 & IEC 60811-2-1 & CNOMO |

Cable protection characteristics :

| | |
|--|----------------------|
| Silicone rubber-coated fiberglass braided sleeving | |
| Max. contact temperature | +250°C (peak +290°C) |
| Max. sleeving length = 3 m | |

Cable length :

| | |
|-----------|------|
| L length | 10 m |
| L1 length | 3 m |

Accessories (included) :

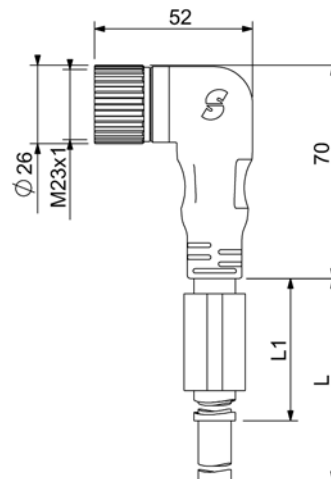
1 label holder

L2319C105TS

Welding environment



Dimensions :



Wiring diagram :

