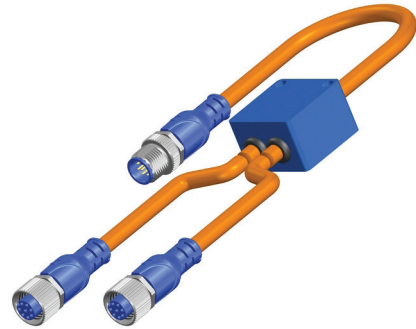


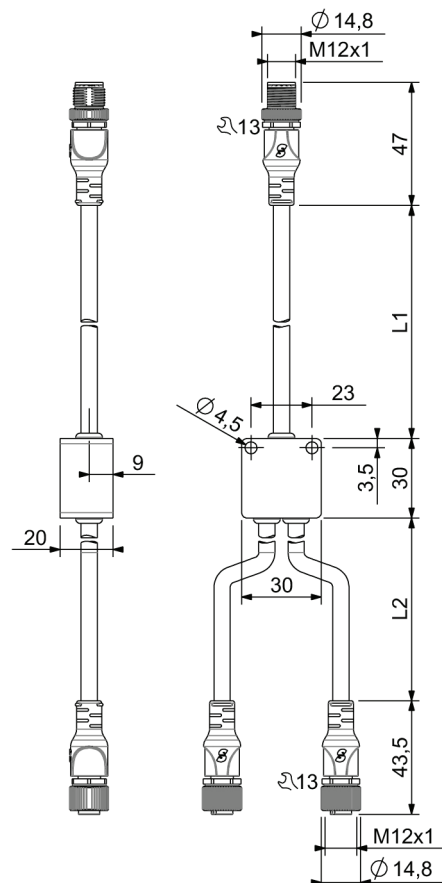
| Technical data :                     |                                              |
|--------------------------------------|----------------------------------------------|
| Rated voltage                        | 30 V AC/DC                                   |
| Rated current                        | 1 A                                          |
| Ambient temperature range            | -25...70 °C                                  |
| Protection :                         |                                              |
| Protection degree                    | IP67                                         |
| M12 straight male connector :        |                                              |
| Locking nut/screw material           | Zamak, nickel-plated                         |
| Overmoulding material                | TPU, self-extinguishing                      |
| Contact diameter                     | Ø0,8 mm                                      |
| Contact material                     | CuZn, pre-plated with nickel and gold-plated |
| Contact resistance                   | < 5 mΩ                                       |
| M12 straight female connector (2x) : |                                              |
| Locking nut/screw material           | Zamak, nickel-plated                         |
| Overmoulding material                | TPU, self-extinguishing                      |
| Contact diameter                     | Ø0,8 mm                                      |
| Contact material                     | CuZn, pre-plated with nickel and gold-plated |
| Contact resistance                   | < 5 mΩ                                       |
| Materials :                          |                                              |
| Housing                              | Anodized aluminium                           |
| Potting                              | PUR (UL94-V0 self-extinguishing)             |
| Cable characteristics :              |                                              |
| Sheath material                      | Halogen free PUR                             |
| Wire structure                       | 8 x 0,25 mm <sup>2</sup>                     |
| Conductor class                      | 6                                            |
| Sheath diameter                      | 6,1 mm                                       |
| Flame resistance according to        | IEC 60332-1 (VDE 0472-804/B)                 |
| Oil resistance according to          | EN 50363 & IEC 60811-2-1                     |
| Cable length :                       |                                              |
| L1 length                            | 0,1 m                                        |
| L2 length                            | 0,5 m                                        |
| L1 and L2 lengths on request         | On request                                   |

## L12/8MLLD0062AS1

Specific



**Dimensions :**



**Wiring diagram :**

