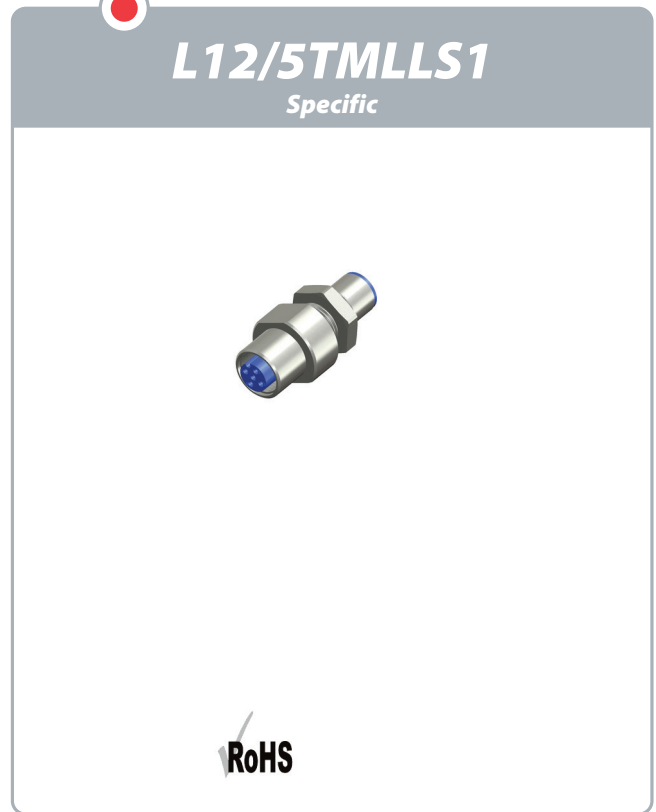
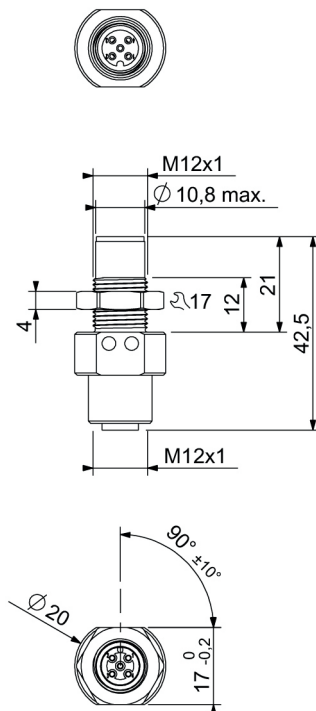


Technical data :	
Rated voltage	48 V AC/DC
Rated current	4 A
Insulation resistance	> 1000 MΩ
Ambient temperature range	-25...70 °C
Protection :	
Protection degree	IP67 (*)
M12 male/female bulkhead connector :	
Contact diameter	Ø1 mm
Contact material	CuZn, pre-plated with nickel and gold-plated
Contact resistance	< 5 mΩ
Connector material	CuZn, nickel-plated
Nut material (H M12x1)	CuZn, nickel-plated
Remarks :	
Screwed mounting not possible on the male connector	
(*) IP67 only for the female connector	



Dimensions :



Wiring diagram :

