

Technical data :

| | |
|---------------------------|-------------|
| Operating voltage | 10...30V DC |
| Rated current | 4 A |
| Insulation resistance | > 1000 MΩ |
| Ambient temperature range | -25...70 °C |

Protection :

| | |
|-------------------|------|
| Protection degree | IP67 |
|-------------------|------|

M12 straight male connector :

| | |
|----------------------------|--|
| Locking nut/screw material | Zamak, nickel-plated |
| Overmoulding material | TPU, self-extinguishing |
| Contact diameter | Ø1 mm |
| Contact material | CuZn, pre-plated with nickel and gold-plated |
| Contact resistance | < 5 mΩ |

M12 angled female connector (LEDs) :

| | |
|-----------------------------|--|
| Locking nut/screw material | Zamak, nickel-plated |
| Overmoulding material | TPU, self-extinguishing |
| Contact diameter | Ø1 mm |
| Contact material | CuZn, pre-plated with nickel and gold-plated |
| Contact resistance | < 5 mΩ |
| LED(s) colour | LEDs (YE / YE / GN) |
| Compatibility type | PNP |
| Current consumption per LED | < 5 mA |

Status indication :

| | |
|------------|------------|
| Signal (2) | Yellow LED |
| Signal (4) | Yellow LED |
| Power | Green LED |

Cable characteristics :

| | |
|-------------------------------|------------------------------|
| Sheath material | PVC |
| Wire structure | 5 G 0,34 mm ² |
| Conductor class | 6 |
| Sheath diameter | 5,8 mm |
| Flame resistance according to | IEC 60332-1 (VDE 0472-804/B) |

Cable length :

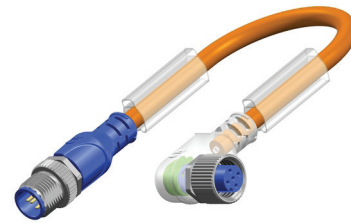
| | |
|--------------|------------|
| L length | 1,5 m |
| Other length | On request |

Accessories (included) :

2 label holders

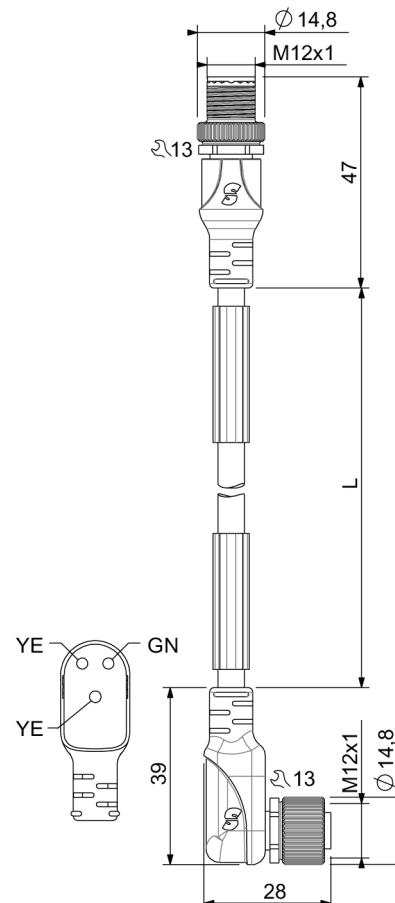
L12/5MLP30155

Industrial automation



RoHS

Dimensions :



Wiring diagram :

