

**Technical data :**

|                           |             |
|---------------------------|-------------|
| Rated voltage             | 48 V AC/DC  |
| Rated current             | 4 A         |
| Insulation resistance     | > 1000 MΩ   |
| Ambient temperature range | -25...70 °C |

**Protection :**

|                   |      |
|-------------------|------|
| Protection degree | IP67 |
|-------------------|------|

**M12 female Y connector :**

|                            |  |
|----------------------------|--|
| Locking nut/screw material | Zamak, nickel-plated                         |
| Overmoulding material      | TPU, self-extinguishing                      |
| Contact diameter           | Ø1 mm  |
| Contact material           | CuZn, pre-plated with nickel and gold-plated |
| Contact resistance         | < 5 mΩ                                       |

**M12 straight male connector (2x) :**

|                            |  |
|----------------------------|--|
| Locking nut/screw material | Zamak, nickel-plated                         |
| Overmoulding material      | TPU, self-extinguishing                      |
| Contact diameter           | Ø1 mm  |
| Contact material           | CuZn, pre-plated with nickel and gold-plated |
| Contact resistance         | < 5 mΩ                                       |

**Cable characteristics :**

|                               |                              |
|-------------------------------|------------------------------|
| Sheath material               | PVC                          |
| Wire structure                | 5 G 0,34 mm <sup>2</sup>     |
| Conductor class               | 6                            |
| Sheath diameter               | 5,8 mm                       |
| Flame resistance according to | IEC 60332-1 (VDE 0472-804/B) |

**Cable length :**

|              |            |
|--------------|------------|
| L length     | 0,3 m      |
| Other length | On request |

**Accessories (included) :**

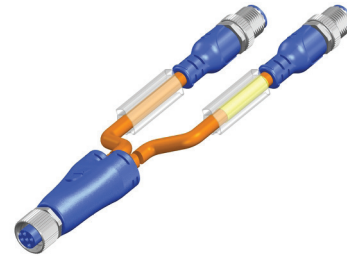
2 label holders

**Notes :**

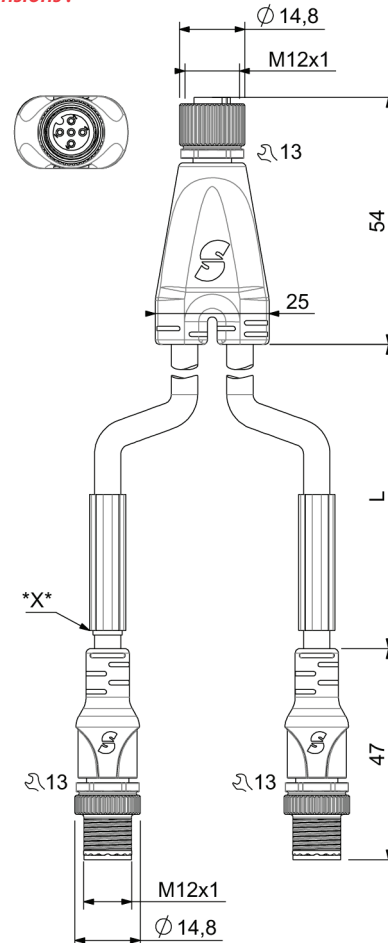
\*X\* : Coloured marker

## L12/5MLLDM0035M

Industrial automation



**Dimensions :**



**Wiring diagram :**

