

Technical data :

| | |
|---------------------------|-------------|
| Rated voltage | 48 V AC/DC |
| Rated current | 4 A |
| Insulation resistance | > 1000 MΩ |
| Ambient temperature range | -25...70 °C |

Protection :

| | |
|-------------------|------|
| Protection degree | IP67 |
|-------------------|------|

M12 male Y connector :

| | |
|----------------------------|--|
| Locking nut/screw material | Zamak, nickel-plated |
| Overmoulding material | TPU, self-extinguishing |
| Contact diameter | Ø1 mm |
| Contact material | CuZn, pre-plated with nickel and gold-plated |
| Contact resistance | < 5 mΩ |

M12 straight male connector :

| | |
|----------------------------|--|
| Locking nut/screw material | Zamak, nickel-plated |
| Overmoulding material | TPU, self-extinguishing |
| Contact diameter | Ø1 mm |
| Contact material | CuZn, pre-plated with nickel and gold-plated |
| Contact resistance | < 5 mΩ |

M12 straight female connector :

| | |
|----------------------------|--|
| Locking nut/screw material | Zamak, nickel-plated |
| Overmoulding material | TPU, self-extinguishing |
| Contact diameter | Ø1 mm |
| Contact material | CuZn, pre-plated with nickel and gold-plated |
| Contact resistance | < 5 mΩ |

Cable characteristics :

| | |
|----------------------------------|----------------------------------|
| Sheath material | Halogen free PUR |
| Wire structure | 5 G 0,34 mm ² |
| Conductor class | 6 |
| Sheath diameter | 5,5 mm |
| Flame resistance according to | IEC 60332-1 (VDE 0472-804/B) |
| Oil resistance according to | EN 50363 & IEC 60811-2-1 & CNOMO |
| Resistant to spot weld splatters | |

Cable length :

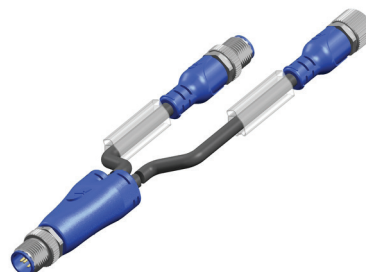
| | |
|--------------|------------|
| L length | 2 m |
| Other length | On request |

Accessories (included) :

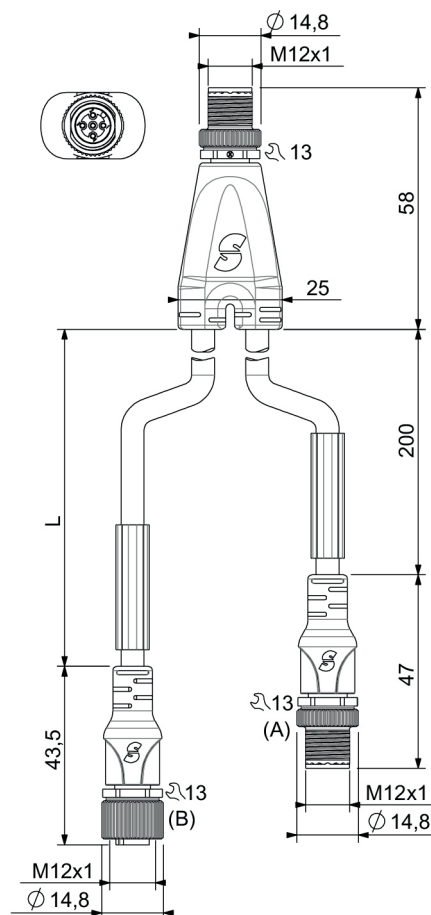
2 label holders

L12/5MLLD22W1

Specific



Dimensions :



Wiring diagram :

