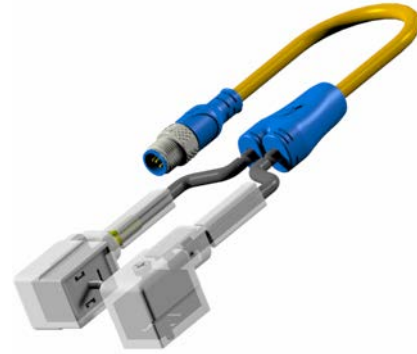
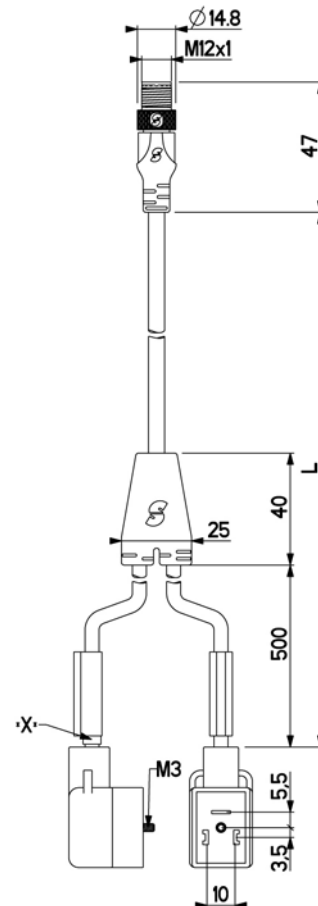


<b>Technical data :</b>	
Rated voltage	24 V AC/DC
Rated current	4 A
Ambient temperature range	-25...80 °C
<b>Protection :</b>	
Protection degree	IP67
<b>M12 straight male connector :</b>	
Locking nut/screw material	Zamak, nickel-plated
Overmoulding material	TPU, self-extinguishing
Contact diameter	Ø1 mm
Contact material	CuZn, pre-plated with nickel and gold-plated
Contact resistance	< 5 mΩ
<b>Solenoid valve connector (DIN Form B) :</b>	
Contact centre distance	10 mm
Contact material	CuZn, Cu/Sn
Contact resistance	< 10 mΩ
Integrated interference suppression	Transil diode
Diode nominal voltage	47 V @ 1mA
Diode peak-limiting voltage	68 V @ 8,9 A
Max. peak pulse power	600W (pulse 10/1000µs)
LED(s) colour	Yellow LED
<b>Status indication :</b>	
Signal	Yellow LED
<b>Cable characteristics (M12) :</b>	
Sheath material	PVC
Wire structure	5 G 0,34 mm <sup>2</sup>
Sheath diameter	5,8 mm
<b>Cable characteristics :</b>	
Cable material	PVC
Wire structure	3 G 0,50 mm <sup>2</sup>
Cable diameter	5 mm
<b>Cable length :</b>	
L length	0,9 m
Other length	On request
<b>Accessories (included) :</b>	
1 captive screw on the solenoid valve connector	
1 sticker on the solenoid valve connector	
3 label holders	
<b>Notes :</b>	
*X* : Coloured marker	

## L12/5LBD0095V Specific



**Dimensions :**



**Wiring diagram :**

