

Technical data :	
Rated voltage	24 V AC/DC
Rated current	4 A
Ambient temperature range	-10...70 °C

Protection :	
Protection degree	IP67

M12 straight male connector :	
Locking nut/screw material	Zamak, nickel-plated
Contact diameter	Ø1 mm
Contact material	CuZn, pre-plated with nickel and gold-plated
Contact resistance	< 5 mΩ

Solenoid valve connector (Form B Industrial) :	
Contact centre distance	11 mm
Contact material	CuSn
Integrated interference suppression	Transil diode
Diode nominal voltage	42 V @ 1 mA
Diode peak-limiting voltage	58 V @ 10,3 A
Max. peak pulse power	600 W @ 25 °C (pulse 10/1000µs)
LED(s) colour	Green LED
Compatibilité LED(s)	PNP
Current consumption per LED	< 5 mA

Status indication :	
Signal	Green LED

Solenoid valve connector (DIN Form B) :	
Contact centre distance	10 mm
Contact material	CuZn, Cu/Sn
Contact resistance	< 10 mΩ
Integrated interference suppression	Transil diode
Diode nominal voltage	47 V @ 1mA
Diode peak-limiting voltage	68 V @ 8,9 A
Max. peak pulse power	360W (pulse 10/1000µs)
LED(s) colour	Yellow LED

Cable characteristics (M12) :	
Sheath material	PVC
Wire structure	3 x 0,34 mm ²
Sheath diameter	5 mm

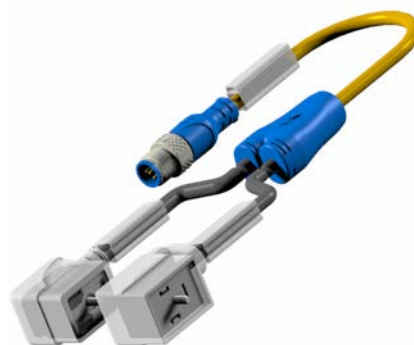
Cable characteristics (EV) :	
Sheath material	PVC
Wire structure	3 G 0,50 mm ²
Sheath diameter	5,7 mm

Cable length :	
L length	0,9 m
Other length	On request

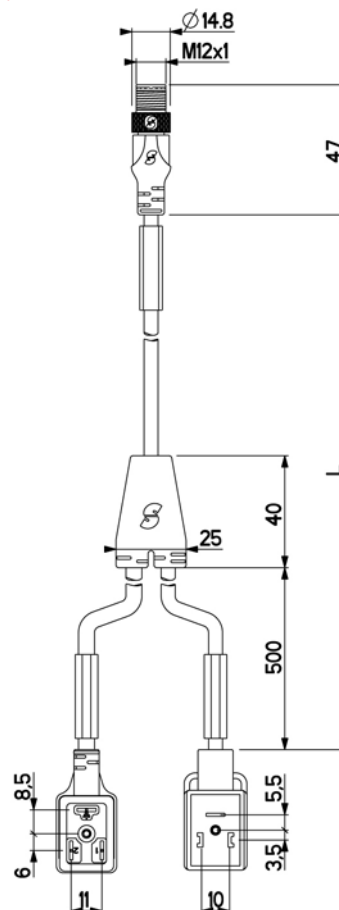
- Accessories (included) :**
- 1 captive screw on the solenoid valve connector
 - 1 sticker on the solenoid valve connector
 - 3 label holders

L12/5LBBID0095AV

Specific



Dimensions :



Wiring diagram :

