

**Technical data :**

Rated voltage	24 V AC/DC
Rated current	4 A
Ambient temperature range	-25...70 °C

**Protection :**

Protection degree	IP67
-------------------	------

**M12 male Y connector :**

Locking nut/screw material	Zamak, nickel-plated
Overmoulding material	TPU, self-extinguishing
Contact diameter	Ø1 mm
Contact material	CuZn, pre-plated with nickel and gold-plated
Contact resistance	< 5 mΩ

**Solenoid valve connector (Form A) (2x) :**

Overmoulding material	TPU, self-extinguishing
Contact centre distance	18 mm
Contact material	CuSn
Integrated interference suppression	Transil diode
Diode nominal voltage	42 V @ 1 mA
Diode peak-limiting voltage	58 V @ 25,8 A
Max. peak pulse power	1500 W @ 25 °C (pulse 10/1000µs)
LED(s) colour	Green LED
Compatibility type	PNP
Current consumption per LED	< 5 mA

**Status indication :**

Signal	Green LED
--------	-----------

**Cable characteristics :**

Sheath material	Halogen free PUR
Wire structure	3 G 0,50 mm <sup>2</sup>
Conductor class	6
Sheath diameter	5 mm
Flame resistance according to	IEC 60332-1 (VDE 0472-804/B)
Oil resistance according to	EN 50363 & IEC 60811-2-1 & CNOMO
Halogen free cable according to	IEC 60754-1

**Cable length :**

L length	1 m
Other length	On request

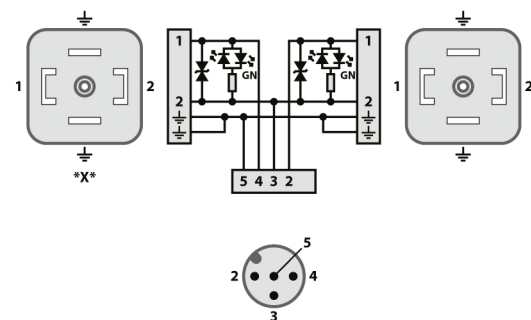
**Accessories (included) :**

- 1 captive screw on the solenoid valve connector
- 1 sticker on the solenoid valve connector
- 2 label holders

**Notes :**

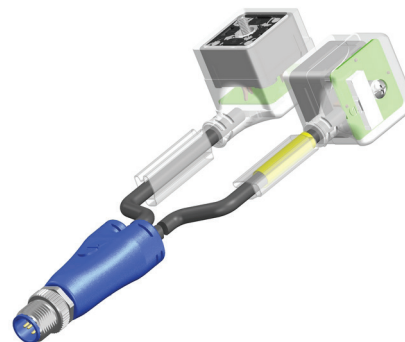
\*X\* : Coloured marker

**Wiring diagram :**



## L12/5LAD12

Industrial automation



**Dimensions :**

