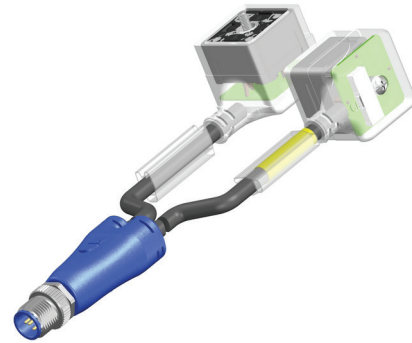


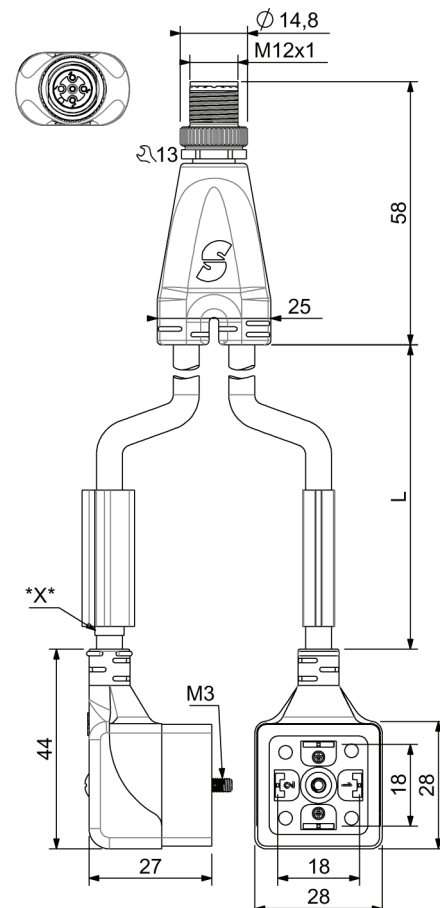
| | |
|---|--|
| Technical data : | |
| Rated voltage | 24 V AC/DC |
| Rated current | 4 A |
| Ambient temperature range | -10...70 °C |
| Protection : | |
| Protection degree | IP67 |
| M12 male Y connector : | |
| Locking nut/screw material | Zamak, nickel-plated |
| Overmoulding material | TPU, self-extinguishing |
| Contact diameter | Ø1 mm |
| Contact material | CuZn, pre-plated with nickel and gold-plated |
| Contact resistance | < 5 mΩ |
| Solenoid valve connector (Form A) (2x) : | |
| Overmoulding material | TPU, self-extinguishing |
| Contact centre distance | 18 mm |
| Contact material | CuSn |
| Integrated interference suppression | Transil diode |
| Diode nominal voltage | 42 V @ 1 mA |
| Diode peak-limiting voltage | 58 V @ 25,8 A |
| Max. peak pulse power | 1500 W @ 25 °C (pulse 10/1000µs) |
| LED(s) colour | Green LED |
| Compatibility type | PNP |
| Current consumption per LED | < 5 mA |
| Status indication : | |
| Signal | Green LED |
| Cable characteristics : | |
| Sheath material | PVC |
| Wire structure | 3 G 0,50 mm ² |
| Conductor class | 5 |
| Sheath diameter | 5,7 mm |
| Flame resistance according to | IEC 60332-1 (VDE 0472-804/B) |
| Oil resistance according to | CNOMO E03.40.150.N |
| Cable length : | |
| L length | 0,3 m |
| Other length | On request |
| Accessories (included) : | |
| 1 captive screw on the solenoid valve connector | |
| 1 sticker on the solenoid valve connector | |
| 2 label holders | |
| Notes : | |
| *X* : Coloured marker | |

L12/5LAD0035

Industrial automation



Dimensions :



Wiring diagram :

