

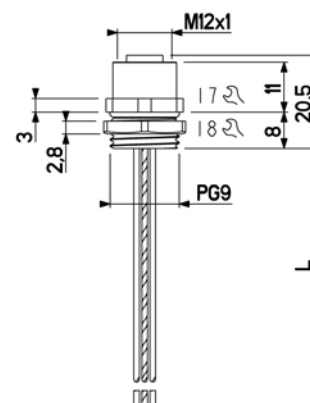
Technical data :	
Rated voltage	60 V AC/DC
Rated current	4 A
Insulation resistance	> 1000 MΩ
Ambient temperature range	-30...80 °C
Protection :	
Protection degree	IP67
M12 female receptacle :	
Mounting type	External screwing
Receptacle material	CuZn, nickel-plated
Contact diameter	Ø1 mm
Contact material	CuZn, pre-plated with nickel and gold-plated
Contact resistance	< 5 mΩ
Wire characteristics :	
Sheath material	PVC (UL Style 1007/1569)
Wire structure	AWG22-0,34 mm <sup>2</sup> / AWG20 -0,56mm <sup>2</sup> (GN/YE)
Sheath diameter	1,65 mm / 1,90 mm (GN/YE)
Flame resistance according to	UL 1581 VW-1 ; CSA FT-1
Cable length :	
L length	1 m
Other length	On request
Accessories (included) :	
1 PG9 nut, nickel plated	

## L12/5EE15

Industrial automation



Dimensions :



Wiring diagram :

