

Technical data :

Rated voltage	60 V AC/DC
Rated current	4 A
Insulation resistance	> 1000 MΩ
Ambient temperature range	-30...80 °C

Protection :

Protection degree	IP67
-------------------	------

M12 female receptacle :

Mounting type	External screwing
Receptacle material	CuZn, nickel-plated
Contact diameter	Ø1 mm
Contact material	CuZn, pre-plated with nickel and gold-plated
Contact resistance	< 5 mΩ

Wire characteristics :

Sheath material	PVC (UL Style 1007/1569)
Wire structure	AWG22-0,34 mm ² / AWG20 -0,56mm ² (GN/YE)
Sheath diameter	1,65 mm / 1,90 mm (GN/YE)
Flame resistance according to	UL 1581 VW-1 ; CSA FT-1

Cable length :

L length	0,5 m
Other length	On request

Accessories (included) :

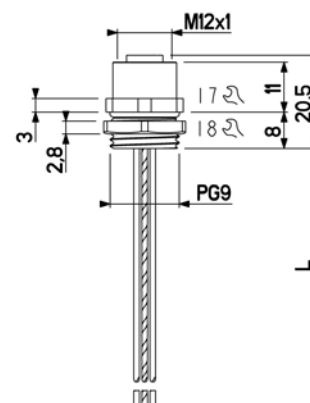
1 PG9 nut, nickel plated

L12/5EE0055

Industrial automation



Dimensions :



Wiring diagram :

