

**Technical data :**

Rated voltage	48 V AC/DC
Rated current	4 A
Insulation resistance	> 1000 MΩ
Ambient temperature range	-25...70 °C

**Protection :**

Protection degree	IP67
-------------------	------

**M12 male Y connector :**

Locking nut/screw material	Zamak, nickel-plated
Overmoulding material	TPU, self-extinguishing
Contact diameter	Ø1 mm
Contact material	CuZn, pre-plated with nickel and gold-plated
Contact resistance	< 5 mΩ

**M12 straight female connector (2x) :**

Locking nut/screw material	Zamak, nickel-plated
Overmoulding material	TPU, self-extinguishing
Contact diameter	Ø1 mm
Contact material	CuZn, pre-plated with nickel and gold-plated
Contact resistance	< 5 mΩ

**Cable characteristics :**

Sheath material	PVC
Wire structure	4 x 0,34 mm <sup>2</sup>
Conductor class	6
Sheath diameter	5 mm
Flame resistance according to	IEC 60332-1 (VDE 0472-804/B)

**Cable length :**

L length	0,5 m
Other length	On request

**Accessories (included) :**

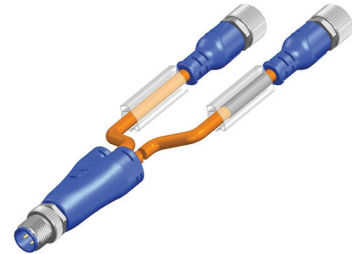
2 label holders

**Notes :**

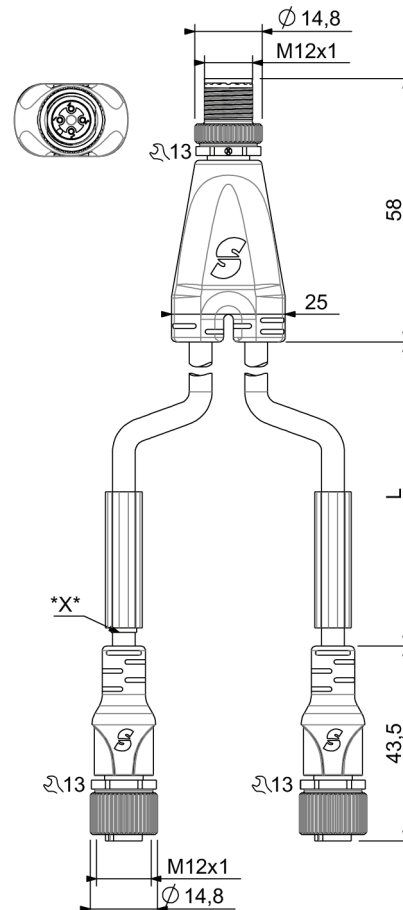
\*X\* : Coloured marker

## L12/4MLLD0055

Industrial automation



**Dimensions :**



**Wiring diagram :**

