

Technical data :

Rated voltage	60 V AC/DC
Rated current	4 A
Insulation resistance	> 1000 MΩ
Ambient temperature range	-25...70 °C

Protection :

Protection degree	IP65
-------------------	------

M12 angled male connector :

Locking nut/screw material	Zamak, nickel-plated
Overmoulding material	TPU, self-extinguishing
Contact diameter	Ø1 mm
Contact material	CuZn, pre-plated with nickel and gold-plated
Contact resistance	< 5 mΩ

M12 angled female connector :

Locking nut/screw material	Zamak, nickel-plated
Overmoulding material	TPU, self-extinguishing
Contact diameter	Ø1 mm
Contact material	CuZn, pre-plated with nickel and gold-plated
Contact resistance	< 5 mΩ

Shielded cable characteristics :

Sheath material	PVC
Wire structure	4 x 0,34 mm ²
Conductor class	5
Sheath diameter	5,5 mm
Tin-plated copper braided shielding covering rate: 85%	
Flame resistance according to	IEC 60332-1 (VDE 0472-804/B)

Cable protection characteristics :

Aramid fiber (kevlar) braided sleeving	
Max. contact temperature	+250°C (peak +330°C)
Max. sleeving length = 5 m	

Cable length :

L length	5 m
Other length	On request (max. sleeving length = 5 m)

Accessories (included) :

2 label holders

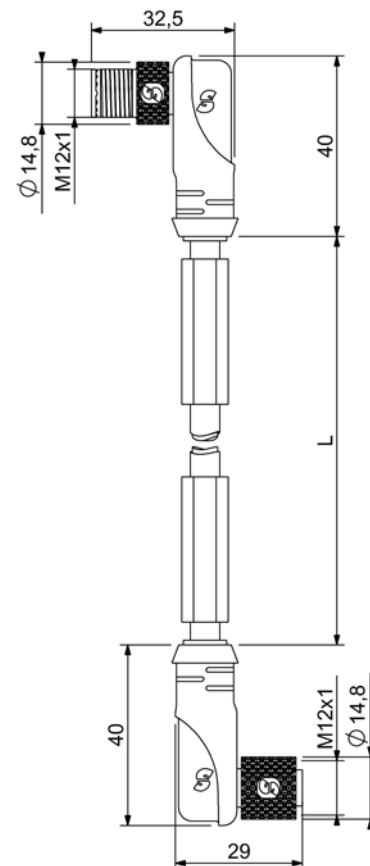
L12/4MCC55BTK

Welding environment



RoHS

Dimensions :



Wiring diagram :

