

**Technical data :**

Rated voltage	60 V AC/DC
Rated current	4 A
Insulation resistance	> 1000 MΩ
Ambient temperature range	-30...80 °C

**Protection :**

Protection degree	IP67
-------------------	------

**M12 female receptacle :**

Mounting type	Internal screwing
Receptacle material	CuZn, nickel-plated
Contact diameter	Ø1 mm
Contact material	CuZn, pre-plated with nickel and gold-plated
Contact resistance	< 5 mΩ

**Wire characteristics :**

Sheath material	PVC (UL Style 1007/1569)
Wire structure	AWG 22-0,34 mm <sup>2</sup>
Conductor class	7x AWG32 (7 x 0,25mm)
Sheath diameter	1,65 mm
Flame resistance according to	UL 1581 VW-1 ; CSA FT-1

**Cable length :**

L standard lengths	1 m / 2 m / 5 m / 10 m
Other length	On request

Reference : replace «...» by length required: 1/2/5/10

**Accessories (included) :**

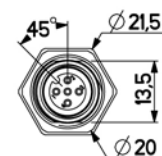
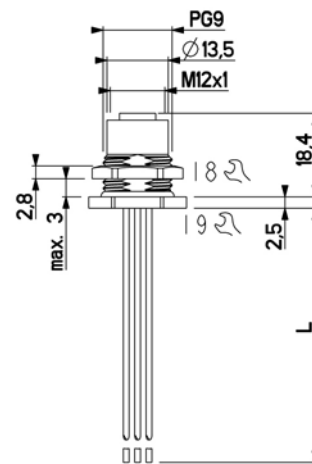
1 PG9 nut, nickel plated

## L12/4E...5

Industrial automation



Dimensions :



Wiring diagram :

