

Technical data :

Rated voltage	50 V AC 60 V DC
Rated current	16 A @ 40 °C
Insulation resistance	> 100 MΩ
Ambient temperature range	-25...70 °C

Protection :

Protection degree	IP67
-------------------	------

M12 male receptacle :

Mounting type	External screwing
Receptacle material	CuZn, nickel-plated
Contact diameter	Ø1,5 mm
Contact material	CuZn, pre-plated with nickel and gold-plated
Contact resistance	< 5 mΩ

Wire characteristics :

Sheath material	TPE-V / mPPE (GN/YE)
Wire structure	2,50 mm ² (Tinned copper)
Conductor class	5 (50x0,25 mm) / 6 (140x0,16 mm)
Sheath diameter	3,2 mm / 2,7 mm
Halogen free and silicon free	

Cable length :

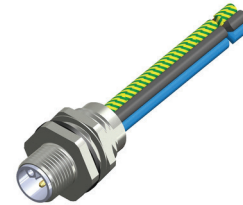
L standard lengths	1 m / 2 m / 5 m / 10 m
Other length	On request

Reference : replace «...» by length required : 1/2/5/10

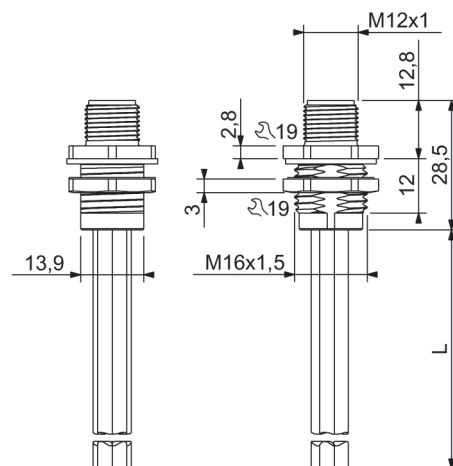
Accessories (included) :

- 1 M16x1,5 ratchet nut, nickel-plated brass
- 1 neopren flat seal (Ø20x1,2mm)
- 1 cap

L12L/5EME...2MS1 Specific



Dimensions :



Wiring diagram :

