

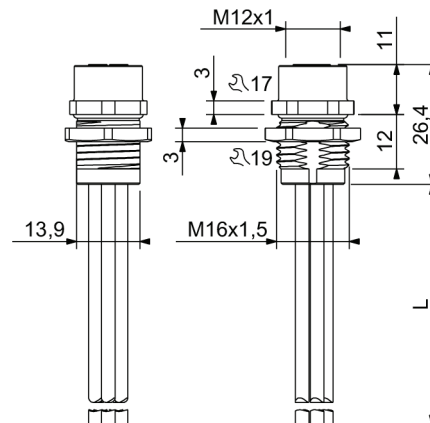
| Technical data : | |
|------------------------------------|--|
| Rated voltage | 48 V AC/DC |
| Rated current | 16 A @ 40 °C |
| Insulation resistance | > 100 MΩ |
| Ambient temperature range | -25...70 °C |
| Protection : | |
| Protection degree | IP67 |
| M12 female receptacle : | |
| Mounting type | External screwing |
| Receptacle material | CuZn, nickel-plated |
| Contact diameter | Ø1,5 mm |
| Contact material | CuZn, pre-plated with nickel and gold-plated |
| Contact resistance | < 5 mΩ |
| Wire characteristics : | |
| Sheath material | LSZH |
| Wire structure | 1,50 mm ² (Tinned copper) |
| Conductor class | 5 |
| Sheath diameter | 3 mm |
| Halogen free and silicon free | |
| Cable length : | |
| L length | 2 m |
| Other length | On request |
| Accessories (included) : | |
| 1 M16x1,5 nut, nickel-plated brass | |
| 1 cap | |

L12L/5EE22M

Industrial automation



Dimensions :



Wiring diagram :

