

Technical data :

Rated voltage	48 V AC/DC
Rated current	16 A @ 40 °C
Insulation resistance	> 100 MΩ
Ambient temperature range	-25...70 °C

Protection :

Protection degree	IP67
-------------------	------

M12 female receptacle :

Mounting type	External screwing
Receptacle material	CuZn, nickel-plated
Contact diameter	Ø1,5 mm
Contact material	CuZn, pre-plated with nickel and gold-plated
Contact resistance	< 5 mΩ

Wire characteristics :

Sheath material	LSZH
Wire structure	1,50 mm ² (Tinned copper)
Conductor class	5
Sheath diameter	3 mm
Halogen free and silicon free	

Cable length :

L length	0,5 m
Other length	On request

Accessories (included) :

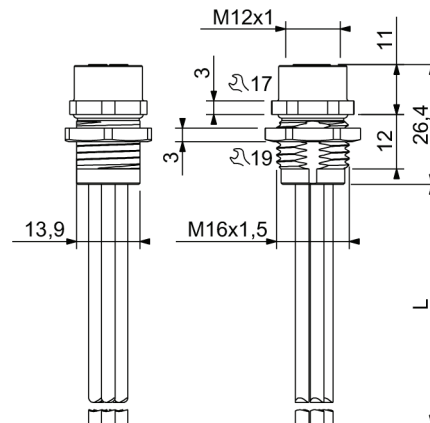
- 1 M16x1,5 nut, nickel-plated brass
- 1 cap

L12L/5EE0052M

Industrial automation



Dimensions :



Wiring diagram :

