

**Technical data :**

Operating voltage	10...30V DC
Rated current	2 A
Insulation resistance	> 1000 MΩ
Ambient temperature range	-25...70 °C

**Protection :**

Protection degree	IP65
-------------------	------

**M12 straight male connector :**

Locking nut/screw material	Zamak, nickel-plated
Overmoulding material	TPU, self-extinguishing
Contact diameter	Ø1 mm
Contact material	CuZn, pre-plated with nickel and gold-plated
Contact resistance	< 5 mΩ

**M8 angled female connector (LEDs) :**

Locking nut/screw material	CuZn, nickel-plated
Overmoulding material	TPU, self-extinguishing
Contact diameter	Ø1 mm
Contact material	CuZn, pre-plated with nickel and gold-plated
Contact resistance	< 5 mΩ
LED(s) colour	LEDs (YE / GN)
Compatibilité LED(s)	PNP
Current consumption per LED	< 4 mA

**Status indication :**

Signal (4)	Yellow LED
Power	Green LED

**Cable characteristics :**

Sheath material	PVC
Wire structure	3 x 0,25 mm <sup>2</sup>
Conductor class	5
Sheath diameter	3,7 mm
Flame resistance according to	IEC 60332-1 (VDE 0472-804/B)

**Cable protection characteristics :**

Fiberglass braided sleeving	
Max. contact temperature	+450°C (peak +500°C)
Max. sleeving length = 5 m	

**Cable length :**

L length	0,6 m
Other length	On request (max. sleeving length = 5 m)

**Accessories (included) :**

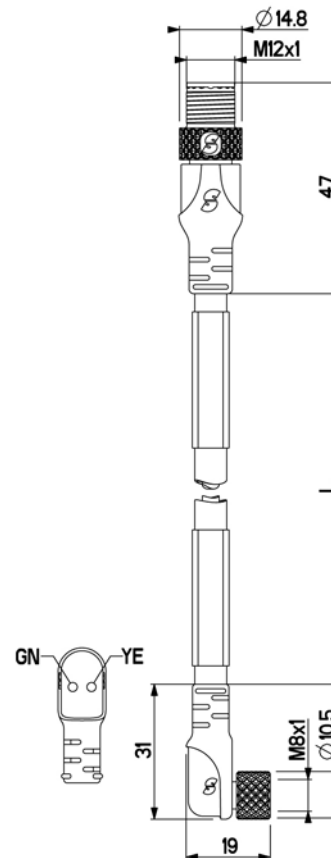
2 label holders

## L128V/3MLP0065T

Welding environment



**Dimensions :**



**Wiring diagram :**

