

Technical data :

| | |
|---------------------------|-------------|
| Rated voltage | 30 V DC |
| Rated current | 4 A |
| Ambient temperature range | -25...70 °C |

Protection :

| | |
|-------------------|------|
| Protection degree | IP65 |
|-------------------|------|

Male HARTING receptacle :

| | |
|---------------------|------------------------|
| Receptacle material | Metal |
| Contact diameter | 46 x Ø2,5 mm |
| Contact material | Silver-plated contacts |

Right female DEUTSCH connector :

| | |
|----------------------------|---------------------------|
| Locking nut/screw material | Aluminium |
| Contact diameter | 42 x Ø1 mm + 5 x Ø1,55 mm |
| Contact material | Nickel-plated contacts |
| Hood material | Aluminium |

Cable characteristics :

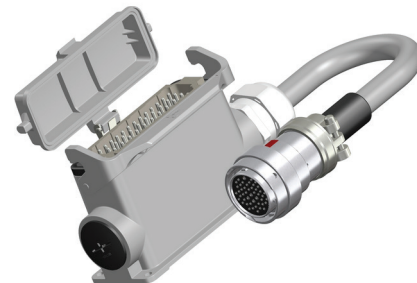
| | |
|-------------------------------|---------------------------|
| Sheath material | PVC |
| Wire structure | 52 G 0,50 mm ² |
| Conductor class | 5 |
| Sheath diameter | 17,3 mm |
| Flame resistance according to | IEC 60332-1-2 |
| Oil resistance according to | EN 50290-2-22 |

Cable length :

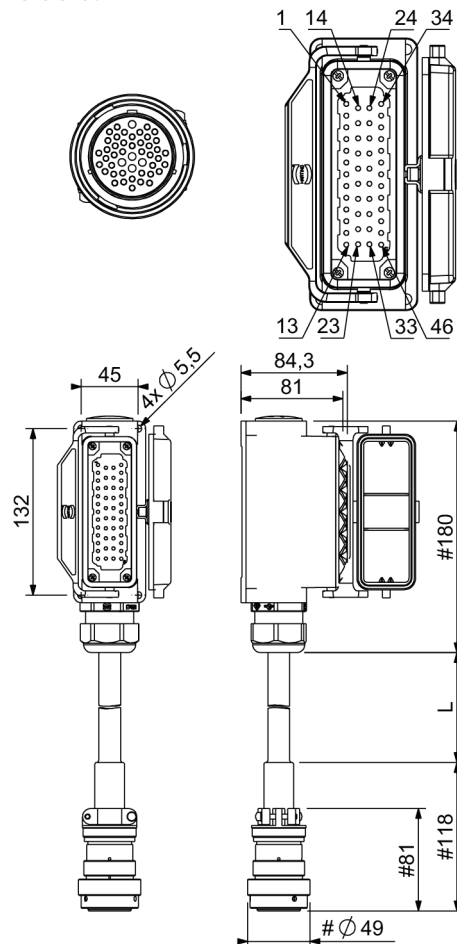
| | |
|--------------|-------------------|
| L length | 4,30 m (0/+50 mm) |
| Other length | On request |

H46D47MCL04305W1

Press tools



Dimensions :



Wiring diagram :

