

Technical data :

Rated voltage	48 V AC/DC
Rated current	4 A max.
Insulation resistance	> 100 MΩ
Ambient temperature range	-20...70 °C

Protection :

Protection degree	IP65
-------------------	------

Angled male connector (Harting / Ilme) 24 poles :

Contact diameter	24 x Ø1,6 mm
Contact material	Silver-plated contacts
Hood : Harting	19 30 006 0546 / Ilme MAO 06 L25
Insert : Harting	09 16 024 3001 / Ilme CDDM 24
Contacts : Harting	09 15 000 6103 / Ilme CDMA 0,5

Female connector («28 series») 26 contacts (N2826F01) :

Locking nut/screw material	Stainless steel
Ergonomic knurled ring : Anodized aluminium	
Contact diameter	26 x Ø 1 mm
Contact material	CuZn, pre-plated with nickel and gold-plated
Contact resistance	< 5 mΩ
Contact arrangement according to UTE C93-422-L2	
Crimping range:	0,25...0,75 mm ²

Straight/angled Hood («28 series») (L2826K01N) :

Hood material :	CuZn, nickel-plated
Supplied in straight position (90° orientable hood)	

Cable characteristics :

Sheath material	PUR
Wire structure	25 G 0,50 mm ²
Conductor class	6
Sheath diameter	13,6 mm
Oil resistance according to IEC 60811-404 (VDE 0473-811-404)	
Drag chain suitable	
Minimum static bending radius :	5 x Ø
Minimum dynamic bending radius :	10 x Ø

Cable length :

L length	2,8 m
Other length	On request

Notes :

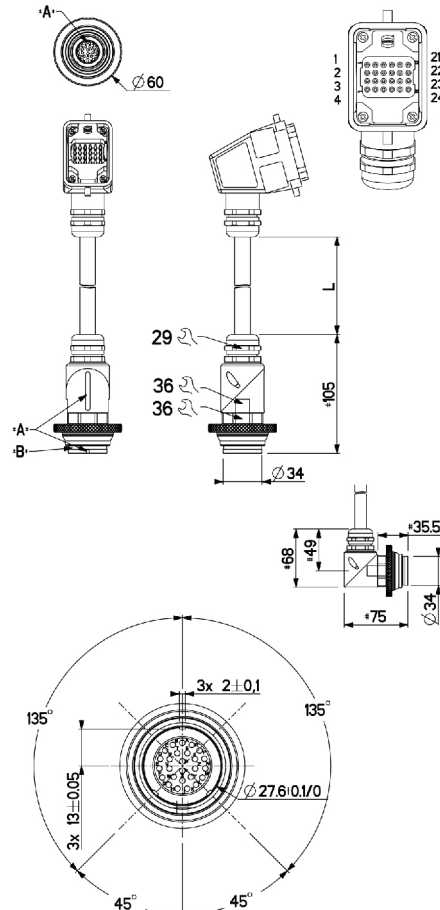
- *A* : Red marking, alignment with contact A
- *B* : Red marking indicating the the unlocked configuration

H24N28MCL0282

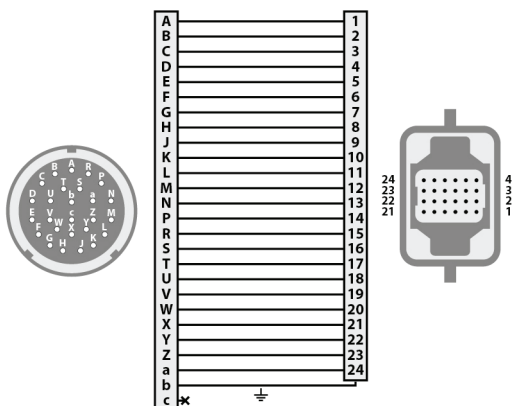
Press tools



Dimensions :



Wiring diagram :



For uses in particularly harsh environments: Please enquire

We reserve the right to modify all or part of characteristics of our products without warning.

Printed on:

17 oct. 2024