

**Technical data :**

|                           |             |
|---------------------------|-------------|
| Rated voltage             | 48 V AC/DC  |
| Rated current             | 4 A max.    |
| Insulation resistance     | > 100 MΩ    |
| Ambient temperature range | -20...70 °C |

**Protection :**

|                   |      |
|-------------------|------|
| Protection degree | IP65 |
|-------------------|------|

**Angled male connector (Harting / Ilme) 24 poles :**

|   |                        |
|---|------------------------|
| Contact diameter                                  | 24 x Ø1,6 mm           |
| Contact material                                  | Silver-plated contacts |
| Hood : Harting 19 30 006 0546 / Ilme MAO 06 L25   |                        |
| Insert : Harting 09 16 024 3001 / Ilme CDDM 24    |                        |
| Contacts : Harting 09 15 000 6103 / Ilme CDMA 0,5 |                        |

**Angled female connector (Harting / Ilme) 24 poles :**

|   |                        |
|---|------------------------|
| Contact diameter                                  | 24 x Ø1,6 mm           |
| Contact material                                  | Silver-plated contacts |
| Hood : Harting 19 30 006 0546 / Ilme MAO 06 L25   |                        |
| Insert : Harting 09 16 024 3101 / Ilme CDDF 24    |                        |
| Contacts : Harting 09 15 000 6203 / Ilme CDMA 0,5 |                        |

**Spiral cable characteristics :**

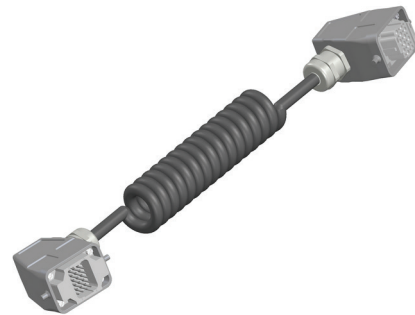
|                 |                           |
|-----------------|---------------------------|
| Sheath material | PUR                       |
| Wire structure  | 27 G 0,50 mm <sup>2</sup> |
| Conductor class | 6                         |
| Sheath diameter | 11 +/-1 mm                |

**Cable length :**

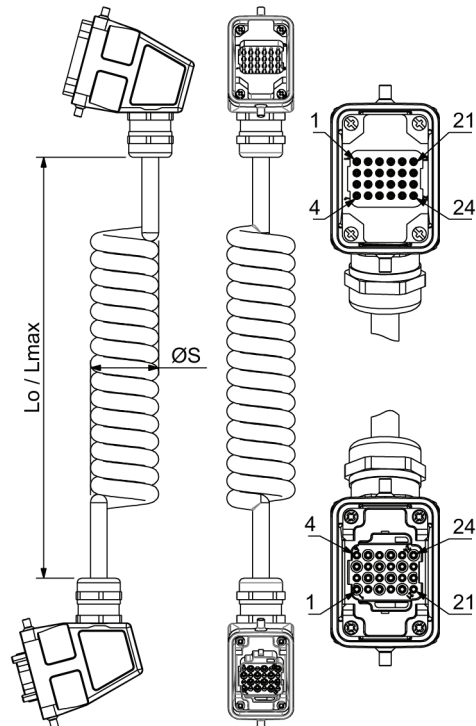
|                               |            |
|-------------------------------|------------|
| Initiale length (Lo)          | 1 m        |
| Extension length (Lmax)       | 3 m        |
| Outer diameter of spiral (ØS) | 45 +/-7 mm |

## H24MCC0282SP

Press tools



**Dimensions :**



**Wiring diagram :**

