

**Technical data :**

Rated voltage	48 V AC/DC
Rated current	4 A max.
Insulation resistance	> 100 MΩ
Ambient temperature range	-20...70 °C

**Protection :**

Protection degree	IP65
-------------------	------

**Angled male connector (Harting) 24 contacts :**

Contact diameter	24 x Ø2,5 mm
Contact material	Silver-plated contacts
Hood : P/N	09 30 024 0520
Insert : P/N	09 33 024 2602
Contacts : P/N	09 33 000 6121

**Female connector («28 series») 26 contacts (N2826F01) :**

Locking nut/screw material	Stainless steel
Ergonomic knurled ring : Anodized aluminium	
Contact diameter	26 x Ø 1 mm
Contact material	CuZn, pre-plated with nickel and gold-plated
Contact resistance	< 5 mΩ
Contact arrangement according to UTE C93-422-L2	
Crimping range:	0,25...0,75 mm <sup>2</sup>

**Straight/angled Hood («28 series») (L2826K01N) :**

Hood material :	CuZn, nickel-plated
Supplied in straight position (90° orientable hood)	

**Cable characteristics :**

Sheath material	PUR
Wire structure	25 G 0,50 mm <sup>2</sup>
Conductor class	6
Sheath diameter	13,6 mm
Oil resistance according to IEC 60811-404 (VDE 0473-811-404)	
Drag chain suitable	
Minimum static bending radius :	5 x Ø
Minimum dynamic bending radius :	10 x Ø

**Cable length :**

L length	6,5 m
Other length	On request

**Notes :**

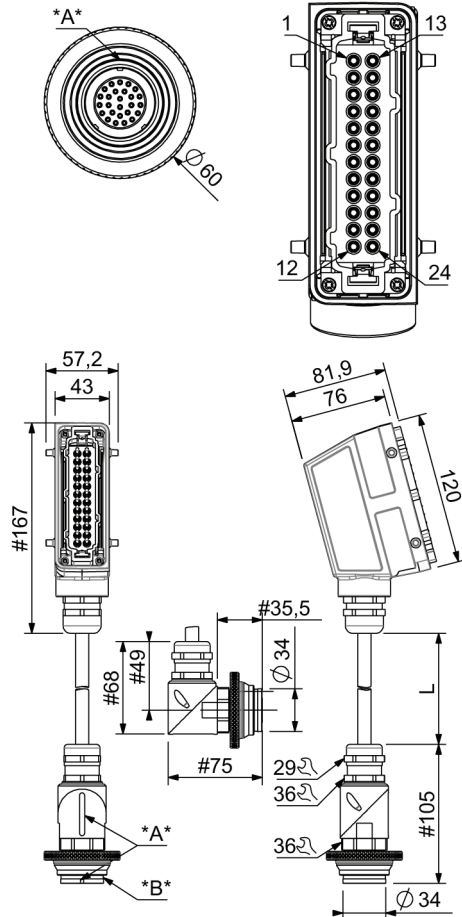
- \*A\* : Red marking, alignment with contact A
- \*B\* : Red marking indicating the the unlocked configuration

## H24BN28MCL0652

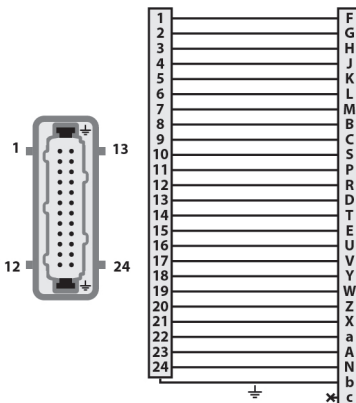
Press tools



**Dimensions :**



**Wiring diagram :**



For uses in particularly harsh environments: Please enquire

We reserve the right to modify all or part of characteristics of our products without warning.

SENSTRONIC S.A.S. • 22 rue des Rustauds, 67700 MONSWILLER • Tél. +33 (0)3 88 71 26 33 • e-mail : contact@senstronic.com

Printed on:

17 oct. 2024