

Technical data :

Rated voltage	48 V DC
Rated current	6 A @ 30 °C
Insulation resistance	> 100 MΩ
Ambient temperature range	-25...70 °C

Protection :

Protection degree	IP65
-------------------	------

Harting male receptacle :

Mounting type	External screwing
Receptacle material	Metal
Contact diameter	16 x Ø2,5 mm
Contact material	Silver-plated contacts
Receptacle : 09 30 016 1230	
Insert : 09 33 016 2602	
Contacts : 09 33 000 6127	

M23 straight female connector :

Locking nut/screw material	CuZn, nickel-plated
Overmoulding material	TPU, self-extinguishing
Contact diameter	16 x Ø1 mm + 3 x Ø1,5 mm
Contact material	CuZn, pre-plated with nickel and gold-plated
Contact resistance	< 5 mΩ
Ground contact (N°12) connected to metal body of connector	

Cable characteristics :

Sheath material	Halogen free PUR
Wire structure	3 G 1 mm ² + 16 x 0,34 mm ²
Conductor class	6
Sheath diameter	10,9 mm
Flame resistance according to	IEC 60332-1 (VDE 0472-804/B)
Oil resistance according to	EN 50363 & IEC 60811-2-1 & CNOMO

Cable length :

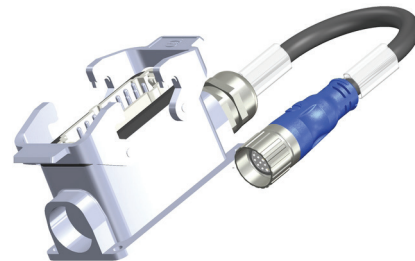
L length	2 m
Other length	On request

Accessories (included) :

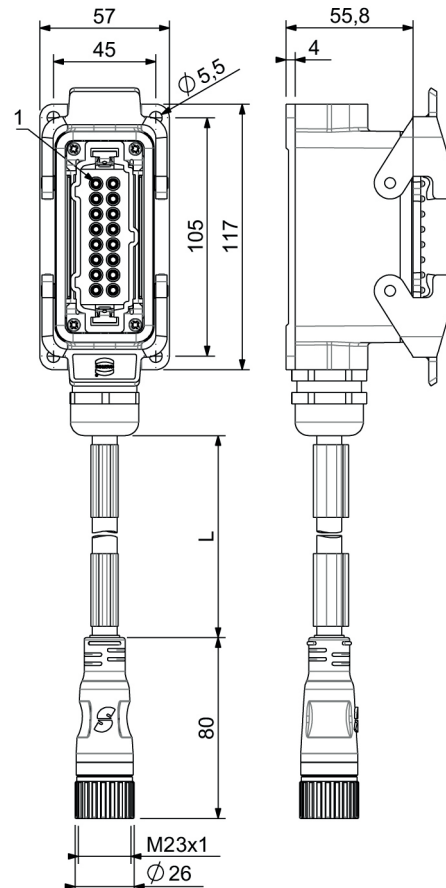
2 label holders

H16L2319MEL022S1

Press tools



Dimensions :



Wiring diagram :

