

### Technical data :

Mounting mode	Flush
Operating voltage	< 10V DC
Ambient temperature range	0...250 °C

### Protection :

IEC 61000-4-2 (ESD)	4kV Contact / 8kV Air
IEC 61000-4-4 (Burst)	2kV / 5kHz
IEC 61000-4-6 (RF conducted)	3V 150kHz...80MHz
Protection degree	IP40

### Materials :

Housing	PEEK
Touch point (spring)	AMPCO

### Spring operating life :

Spring operating life	> 1 000 000 cycles
-----------------------	--------------------

### Connection :

Connector	M8
Cable	Fiberglass
Cable length	0,2 m (0/+20 mm)
Cable protection	Silicone-coated fiberglass braided sleeving
Max. temperature on the external protection sheath	: 280°C during 20s

### Remarks :

To operate, this detector must be plugged to the amplifier reference : H1263B00L14XX1XXX

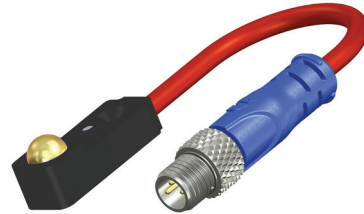
The operation of this detector is based on the fact that the metal part to detect is connected to the same 0V potential than the amplifier associated to this detector.

For a tangential approach (along direction F) to the part to be detected, the contact zone should be limited to the hatched area (see details view).

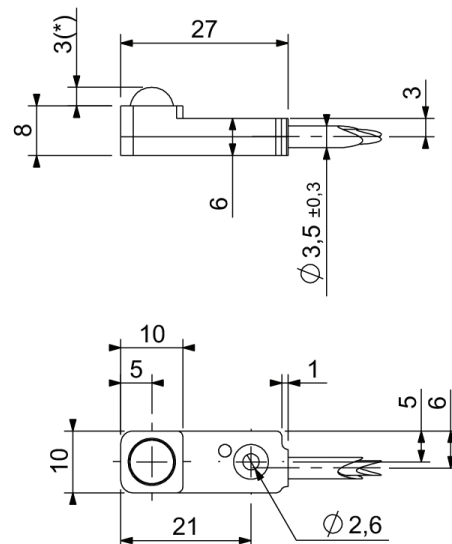
(\*) Touch point's stroke.

## H12X3K02Q270321SQS

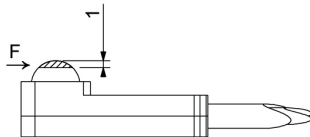
Q27



### Dimensions :



### Details view :



General tolerance according to ISO 2768 -mK