

Technical data :

| | |
|---------------------------|-------------|
| Operating voltage | 10...30V DC |
| No-load consumption | < 30 mA |
| Ambient temperature range | -25...55 °C |

Optical characteristics :

| | |
|------------------------|--------------|
| Light type | Red (625 nm) |
| Ambient light immunity | 15 klx |

Protection :

| | |
|------------------------------|------------------------|
| Reverse polarity protection | |
| IEC 61000-4-2 (ESD) | 4 kV contact / 8kV air |
| IEC 61000-4-4 (Burst) | 2kV / 5kHz |
| IEC 61000-4-6 (RF conducted) | 3V 150kHz...80MHz |
| Protection degree | IP67 |

Materials :

| | |
|--------------|------|
| Housing | PA |
| Sensing face | PMMA |

Status indication :

| | |
|-------|-----------|
| Power | Green LED |
|-------|-----------|

Connection :

| | |
|--------------|--------|
| Connector | M12 |
| Cable | PVC |
| Cable length | 0,15 m |

Accessories (included) :

- 1 Q26 zamak holder
- 1 zinc-plated steel screw CHC M4-30 mm
- 1 zinc-plated steel screw CHC M4-8 mm
- 1 zinc-plated steel screw CHC M4-6 mm

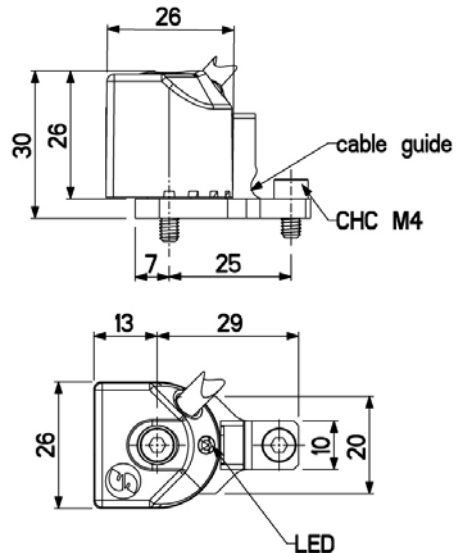
Accessories (not included) :

- Receiver E128V55Q2602M2R

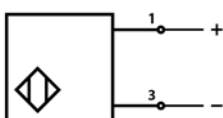
E128V55Q2602M2R
 Through-beam series
 Q26



Dimensions :



Connection diagram :



Pin assignment :

