

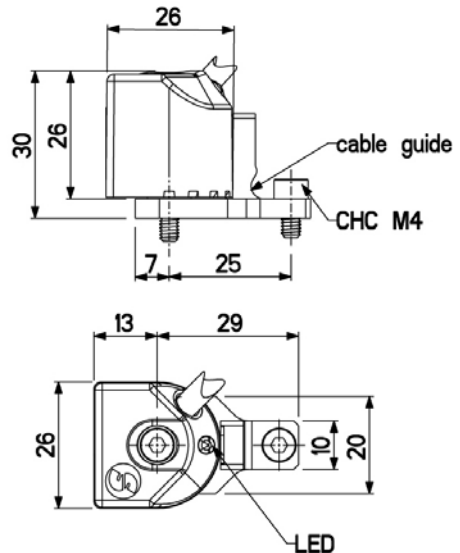
Technical data :	
Operating voltage	10...30V DC
No-load consumption	< 30 mA
Ambient temperature range	-25...55 °C
Optical characteristics :	
Light type	Red (625 nm)
Ambient light immunity	15 klx
Protection :	
Reverse polarity protection	
IEC 61000-4-2 (ESD)	4 kV contact / 8kV air
IEC 61000-4-4 (Burst)	2kV / 5kHz
IEC 61000-4-6 (RF conducted)	3V 150kHz...80MHz
Protection degree	IP67
Materials :	
Housing	PA
Sensing face	PMMA
Status indication :	
Power	Green LED
Connection :	
Connector	M12
Cable	PUR
Cable length	0,15 m
Accessories (included) :	
1 Q26 zamak holder	
1 zinc-plated steel screw CHC M4-30 mm	
1 zinc-plated steel screw CHC M4-8 mm	
1 zinc-plated steel screw CHC M4-6 mm	
Accessories (not included) :	
Receiver E128FS5Q2602M2R	

EXXFS5Q26XXXE

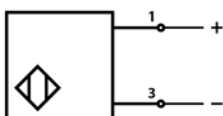
Through-beam series
 Q26



Dimensions :



Connection diagram :



Pin assignment :

