

**Technical data :**

|                           |             |
|---------------------------|-------------|
| Operating voltage         | 10...30V DC |
| No-load consumption       | < 25 mA     |
| Operating current         | 200 mA max. |
| Ambient temperature range | -25...70 °C |

**Protection :**

|  |                        |
|--|------------------------|
| Protection degree                            | IP65                   |
| Reverse polarity protection                  |                        |
| Output overload and short-circuit protection |                        |
| Input overload and short-circuit protection  |                        |
| IEC 61000-4-2 (ESD)                          | 4 kV contact / 8kV air |
| IEC 61000-4-4 (Burst)                        | 2kV / 5kHz             |
| IEC 61000-4-6 (RF conducted)                 | 3V 150kHz...80MHz      |

**Status indication :**

|                              |             |
|------------------------------|-------------|
| Power (PWR)                  | Green LED   |
| Inputs (E1...E6)             | Yellow LEDs |
| Outputs                      | Yellow LEDs |
| Short-circuit output (DIA/O) | Red LED     |

**Materials :**

|                       |                                  |
|-----------------------|----------------------------------|
| 'Electrical' housing  | Anodized aluminium               |
| 'Pneumatical' housing | Anodized aluminium               |
| Potting               | PUR (UL94-V0 self-extinguishing) |

**M12 female receptacle :**

|                     |  |
|---------------------|--|
| Receptacle material | CuZn, nickel-plated                          |
| Contact diameter    | 5 x Ø1 mm                                    |
| Contact material    | CuZn, pre-plated with nickel and gold-plated |
| Contact resistance  | < 5 mΩ                                       |

**Connector (Harting / Ilme) :**

|  |       |
|--|-------|
| Receptacle material                      | Metal |
| Connector *A* : 25 poles (electric)      |       |
| Connector *B* : 2x2 position (pneumatic) |       |
| Connector *C* : 2x2 position (pneumatic) |       |

**Cable characteristics :**

|                               |                              |
|-------------------------------|------------------------------|
| Sheath material               | PVC                          |
| Wire structure                | 12 x 0,25 mm <sup>2</sup>    |
| Conductor class               | 5                            |
| Sheath diameter               | 7 mm                         |
| Flame resistance according to | IEC 60332-1 (VDE 0472-804/B) |

**Cable protection characteristics :**

PA66 corrugated tubing + silicone braided sleeving

**Cable protection characteristics :**

Silicone rubber-coated fiberglass braided sleeving  
Max. contact temperature +250°C (peak +290°C)

**Cable length :**

|              |            |
|--------------|------------|
| L length     | 0,7 m      |
| Other length | On request |

**Accessories (included) :**

1 joint plat + 4 bouchons (OBTM12EEP)

**Accessories (not included) :**

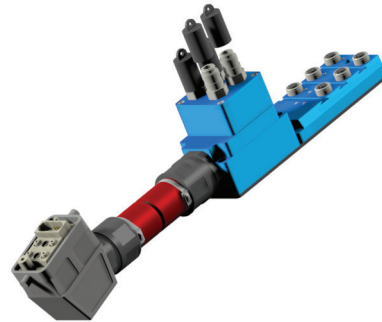
Logic plug (SHUNT124)  
Fitting of a SHUNT124 «logic plug» on each unused receptacle.  
Type RECTUS 21KA model - Nominal pressure 7 bar  
Polyamide - Øint 4 mm - Øext 6 mm - Nominal pressure 7 bars

Truth table & wiring diagram :

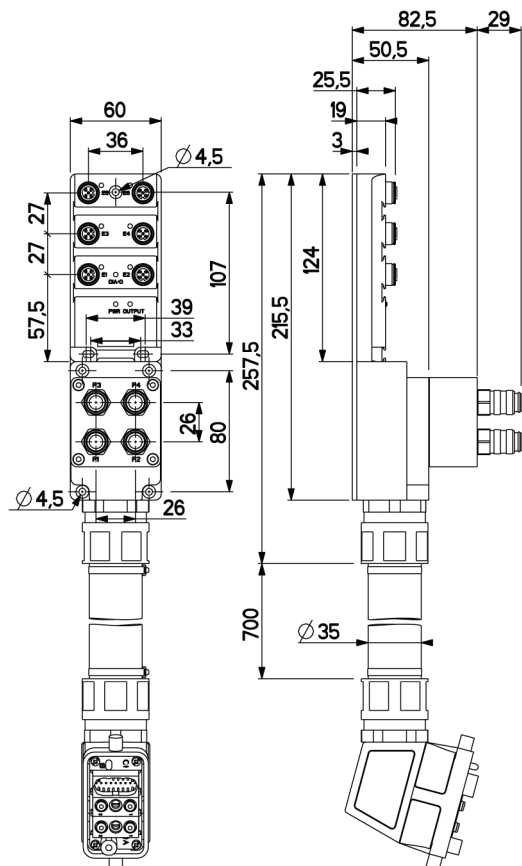
**See following page**

## EP6ET/46005HC10E1

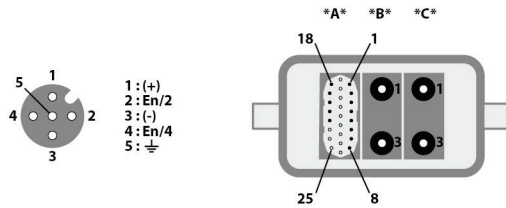
Industrial automation



**Dimensions :**



**Truth table & wiring diagram :**



1 : (+)  
 2 : En/2  
 3 : (-)  
 4 : En/4  
 5 :  $\frac{\text{---}}{\text{---}}$

**Electrical Wiring Diagram**

- \*A\* 1 : + 10...30 V DC
- 2 : 0 V
- 3 : OUTPUT
- 4 : C1\_b0
- 5 : C1\_b1
- 6 : C1\_b2
- 7 : C1\_b3
- 8 : Rotary Encoder Common
- 18 : + 10...30 V DC
- 19 : + 10...30 V DC
- 20 : + 10...30 V DC
- 21 : C2\_b0
- 22 : C2\_b1

**Pneumatical Wiring Diagram**

| HAN Connector | Pneumatical Box |
|---------------|-----------------|
| *B* : 1       | P3              |
| *B* : 3       | P4              |

| HAN Connector | Pneumatical Box |
|---------------|-----------------|
| *C* : 1       | P1              |
| *C* : 3       | P2              |

**Truth Table**

| E1/4               | E2/4 | E3/4 | E4/4 | E5/4 | E6/4 | OUTPUT |
|--------------------|------|------|------|------|------|--------|
| 1                  | 1    | 1    | 1    | 1    | 1    | 1      |
| Other combinations |      |      |      |      |      | 0      |