

Technical data :

Rated operating distance (Sn)	0,1...10 m (*)
Output type	PNP
Function	NO/NC (adjustable)
Operating voltage	15...30V DC
Operating current	200 mA
No-load consumption	< 75 mA (< 60 mA @ 24 V DC)
Ambient temperature range	-10...60 °C
Switching frequency	1/3...50/3 Hz
Sampling frequency	1...50 Hz (adjustable)
Adjustment method	Adjustment by push-buttons

Optical characteristics :

Light type	LASER (Class 2) Red (650 nm)
Light spot typical diameter	< 15 mm @ 10 m
Ambient light immunity	5 klx

Protection :

Reverse polarity protection	
Short-circuit protection	
Overload protection	
IEC 61000-4-2 (ESD)	4kV Contact / 8kV Air
IEC 61000-4-4 (Burst)	2kV / 5kHz
IEC 61000-4-6 (RF conducted)	3V 150kHz...80MHz
Protection degree	IP67

Materials :

Housing	Zamak
Sensing face	Scratch-resistant PMMA / Aluminium, PTFE coated

Status indication :

Output	Yellow LED
Power / Units	Green LED / Red LED

Connection :

Connector	M12
-----------	-----

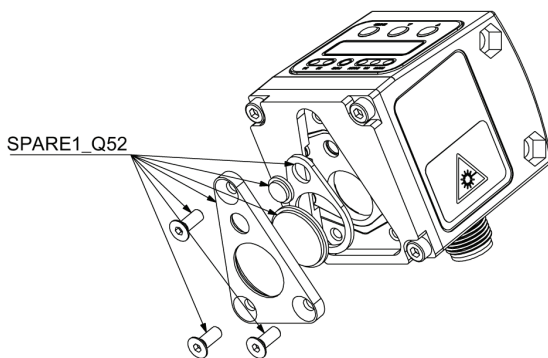
(*) Test conditions :

Detection : with white paper 20cm x 20cm, 90% remission

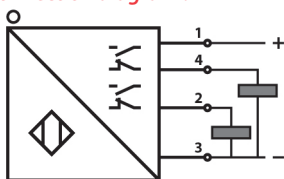
Outputs definition :

OUT 4 : PNP (NO or NC adjustable)
OUT 2 : PNP (NO or NC adjustable)

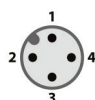
Spare parts & Replacing mode :



Connection diagram :



Pin assignment :



E62T3L00Q52104ML

FBGS Telemeter



Dimensions :

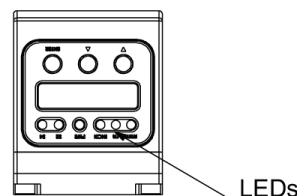
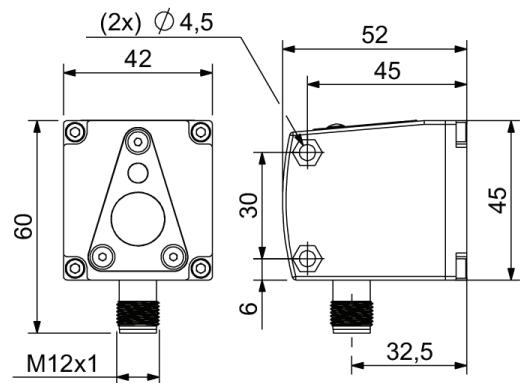


Table repeatability, accuracy and hysteresis

Values for sampling rate 50Hz

Distance in mm	Typical repeatability		Typical accuracy		Typical hysteresis	
	white 90% remission	grey 18% remission	white 90% remission	grey 18% remission	white 90% remission	grey 18% remission
100...1000	± 4mm	± 8mm	± 15mm	± 27mm	15mm	25mm
1000...2000	± 10mm	± 10mm	± 20mm	± 50mm	20mm	50mm
2000...4000	± 15mm	± 80mm	± 45mm	± 100mm	50mm	200mm
4000...6000	± 25mm	± 100mm	± 60mm	± 100mm	100mm	220mm
6000...10000	± 55mm	-	± 80mm	-	200mm	-

Remark:

The values apply at:

- * Constant ambient conditions 23°C
- * Extraneous light < 40klx
- * Only after 10 minutes of power on

Values for sampling rate 1Hz

Distance in mm	Typical repeatability		Typical accuracy		Typical hysteresis	
	white 90% remission	grey 18% remission	white 90% remission	grey 18% remission	white 90% remission	grey 18% remission
100...1000	± 4mm	± 6mm	± 8mm	± 25mm	15mm	25mm
1000...2000	± 8mm	± 8mm	± 15mm	± 50mm	15mm	25mm
2000...4000	± 15mm	± 60mm	± 45mm	± 80mm	40mm	60mm
4000...6000	± 20mm	± 100mm	± 60mm	± 100mm	80mm	90mm
6000...10000	± 40mm	-	± 80mm	-	85mm	-

Remark:

The values apply at:

- * Constant ambient conditions 23°C
- * Extraneous light < 40klx
- * Only after 10 minutes of power on