

**Technical data :**

Rated operating distance (Sn)	200 mm
Output type	PNP
Function	NO/NC
Operating voltage	10...30V DC
Operating current	200 mA
Non-Load consumption	< 30 mA
Voltage drop	< 2 V
Residual current	< 70 µA
Ambient temperature range	-25...55 °C
Switching frequency	1 kHz
Power-on delay	< 300 ms
Detection range	5...200 mm
Adjustment method	By potentiometer
Adjustment from 30 to 200 mm	

**Optical characteristics :**

Light type	Red (660 nm)
Light spot typical diameter	25 mm (3,1°) @ 200 mm
Ambient light immunity	100 klx

**Protection :**

Reverse polarity protection	
Short-circuit protection	
Overload protection	
IEC 61000-4-2 (ESD)	4kV Contact / 8kV Air
IEC 61000-4-4 (Burst)	2kV / 5kHz
IEC 61000-4-6 (RF conducted)	3V 150kHz...80MHz
Protection degree	IP67

**Materials :**

Housing	Brass, nickel-plated
Sensing face	PMMA

**Status indication :**

Output	Yellow LED
Alarm signal (Limit of detection)	Red LED

**Connection :**

Connector	M12
-----------	-----

**Accessories (included) :**

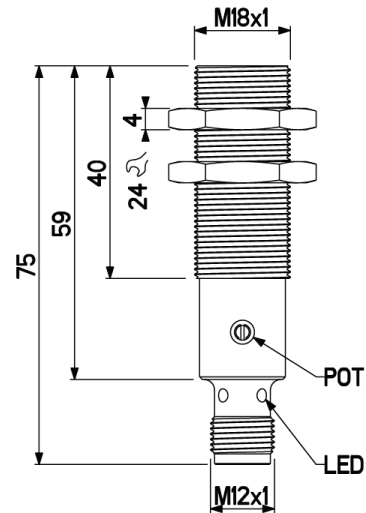
2 nickel-plated brass fixing nuts

## E128V05M1820D1D

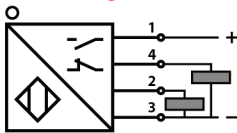
Direct reflex  
M18



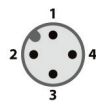
**Dimensions :**



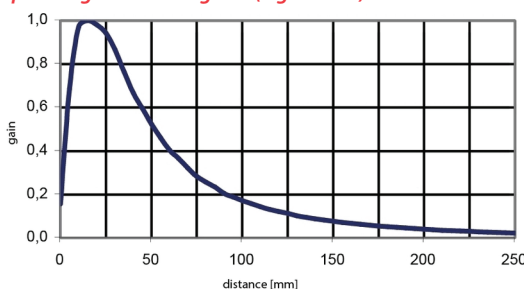
**Connection diagram :**



**Pin assignment :**



**Operating reserve diagram (signal loss) :**



**Lateral approach diagram :**

