

**Technical data :**

Rated operating distance (Sn)	10 m (*)
(*) With transmitter EXXXF5S5Q26XXXXE or EXXXV5S5Q26XXXXE	
Output type	PNP
Function	NO/NC
Operating voltage	10...30V DC
Operating current	200 mA
No-load consumption	< 20 mA
Voltage drop	< 2 V
Residual current	< 70 $\mu$ A
Ambient temperature range	-25...55 °C
Switching frequency	500 Hz
Power-on delay	< 300 ms
Detection range	0...10 m (*)
Adjustment method	By potentiometer
Adjustment for semi-transparent object	

**Optical characteristics :**

Light type	Red (660 nm)
Ambient light immunity	100 klx

**Protection :**

Reverse polarity protection	
Short-circuit protection	
Overload protection	
IEC 61000-4-2 (ESD)	4 kV contact / 8kV air
IEC 61000-4-4 (Burst)	2kV / 5kHz
IEC 61000-4-6 (RF conducted)	3V 150kHz...80MHz
Protection degree	IP67

**Materials :**

Housing	Brass, nickel-plated
Sensing face	PMMA

**Status indication :**

Output	Yellow LED
Signal d'alarme (limite de détection)	Red LED

**Connection :**

Connector	M12
-----------	-----

**Accessories (included) :**

2 nickel-plated brass fixing nuts

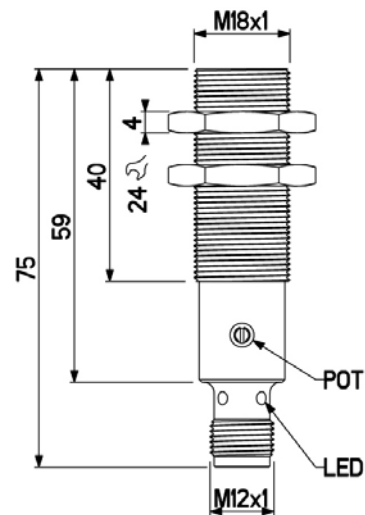
**Accessories (not included) :**

Transmitter EXXXV05M18XXX1E

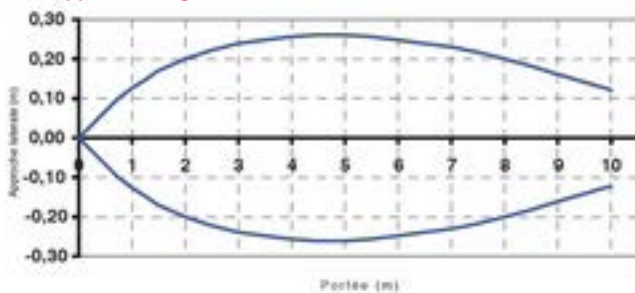
**E128V05M1810K1R**  
 Through-beam series  
 M18



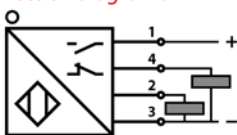
**Dimensions :**



**Lateral approach diagram :**



**Connection diagram :**



**Pin assignment :**

