

Technical data :

Rated operating distance (Sn)	30 mm
Output type	PNP
Function	NO or NC (selectable by potentiometer)
Operating voltage	10...30V DC
Operating current	500 mA
No-load consumption	< 40 mA
Voltage drop	< 2V
Residual current	< 70 µA
Ambient temperature range	0...60 °C
Switching frequency	1 kHz
Reaction time	< 0,5 ms
Power-on delay	< 100 ms

Optical characteristics :

Light type	Infrared (880 nm), pulsed
Minimum target size	Ø 0,7 mm
Ambient light immunity	10 klx

Protection :

Reverse polarity protection	
Short-circuit protection	
Overload protection	
IEC 61000-4-2 (ESD)	4 kV contact / 8kV air
IEC 61000-4-4 (Burst)	2kV / 5kHz
IEC 61000-4-6 (RF conducted)	3V 150kHz...80MHz
Protection degree	IP67

Materials :

Housing	Anodized aluminium
Sensing face	PMMA

Status indication :

Output	Yellow LED
--------	------------

Connection :

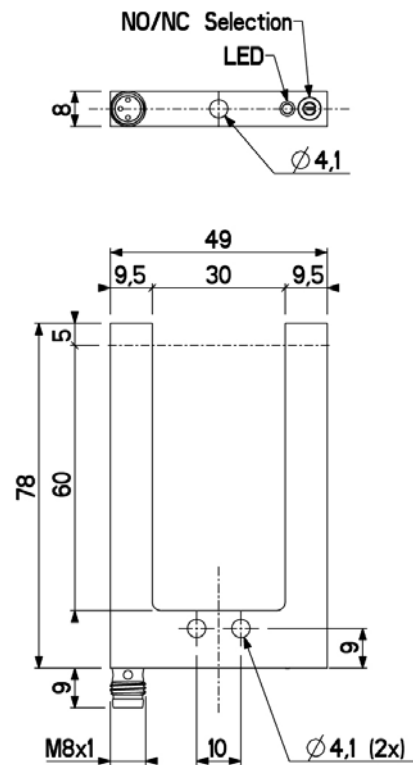
Connector	M8
-----------	----

E128R05U783041

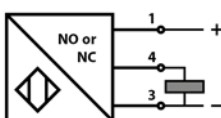
Counting series
 U30



Dimensions :



Connection diagram :



Pin assignment :

