

**Technical data :**

Output type	PNP
Function	NO or NC (selectable by potentiometer)
Operating voltage	10...30V DC
Operating current	500 mA (*)
Non-Load consumption	< 30 mA
Voltage drop	< 2 V
Residual current	< 70 µA
Ambient temperature range	0...60 °C
Repeatability	0,02 mm
Switching frequency	2 kHz
Reaction time	0,25 ms
Power-on delay	< 100 ms

**Optical characteristics :**

Light type	Infrared (850 nm), pulsed
Minimum target size	Ø 0,7 mm
Ambient light immunity	10 klx

**Protection :**

Reverse polarity protection	
Short-circuit protection	
Overload protection	
IEC 61000-4-2 (ESD)	4kV Contact / 8kV Air
IEC 61000-4-4 (Burst)	2kV / 5kHz
IEC 61000-4-6 (RF conducted)	3V 150kHz...80MHz
Protection degree	IP67

**Materials :**

Housing	Anodized aluminium
Sensing face	PMMA

**Status indication :**

Output	Yellow LED
--------	------------

**Connection :**

Connector	M8
-----------	----

**(\*) Remark :**

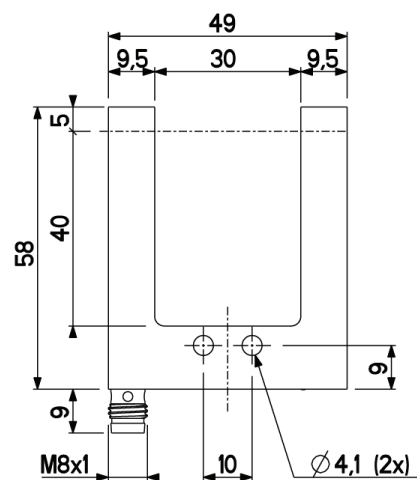
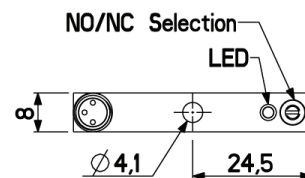
500 mA max operating current up to 40°C.  
 400 mA max operating current up to 60°C.

## E128R05U583041

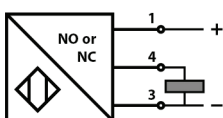
Counting series  
 U30



**Dimensions :**



**Connection diagram :**



**Pin assignment :**

