

**Technical data :**

Rated operating distance (Sn)	30 mm
Output type	PNP
Function	NO or NC (selectable by potentiometer)
Operating voltage	10...30 V DC
Operating current	500 mA
No-load consumption	< 40 mA
Voltage drop	< 2 V
Residual current	< 70 µA
Ambient temperature range	0...60 °C
Switching frequency	1 kHz
Reaction time	< 0,5 ms
Power-on delay	< 100 ms

**Optical characteristics :**

Light type	Infrared (880 nm), pulsed
Minimum target size	Ø 0,7 mm
Ambient light immunity	10 klx

**Protection :**

Reverse polarity protection	
Short-circuit protection	
Overload protection	
IEC 61000-4-2 (ESD)	4 kV contact / 8kV air
IEC 61000-4-4 (Burst)	2kV / 5kHz
IEC 61000-4-6 (RF conducted)	3V 150kHz...80MHz
Protection degree	IP67

**Materials :**

Housing	Anodized aluminium
Sensing face	PMMA

**Status indication :**

Output	Yellow LED
--------	------------

**Connection :**

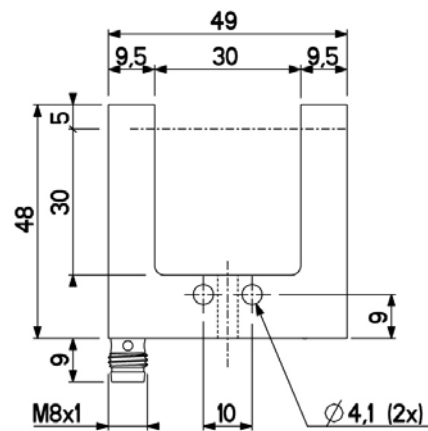
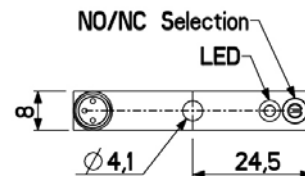
Connector	M8
-----------	----

## E128R05U483041

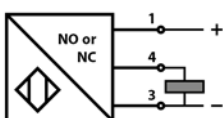
Counting series  
 U30



**Dimensions :**



**Connection diagram :**



**Pin assignment :**

