

Technical data :

Rated operating distance (Sn)	700 mm
Output type	PNP
Function	NO/NC
Operating voltage	10...30V DC
Operating current	200 mA
No-load consumption	< 30 mA
Voltage drop	< 2V
Residual current	< 70 µA
Ambient temperature range	-25...55 °C
Switching frequency	250 Hz
Power-on delay	< 300 ms
Detection range	0...700 mm
Adjustment method	By potentiometer
Adjustment from 100 to 700 mm	

Optical characteristics :

Light type	Infrared (850 nm)
Light spot diameter at maximum sensing range	75 mm (3,1°) @ 700 mm
Ambient light immunity	100 klx

Protection :

Reverse polarity protection	
Short-circuit protection	
Overload protection	
IEC 61000-4-2 (ESD)	4 kV contact / 8kV air
IEC 61000-4-4 (Burst)	2kV / 5kHz
IEC 61000-4-6 (RF conducted)	3V 150kHz...80MHz
Protection degree	IP67

Materials :

Housing	Brass, nickel-plated
Sensing face	PMMA

Status indication :

Output	Yellow LED
Signal d'alarme (limite de détection)	Red LED

Connection :

Connector	M12
-----------	-----

Accessories (included) :

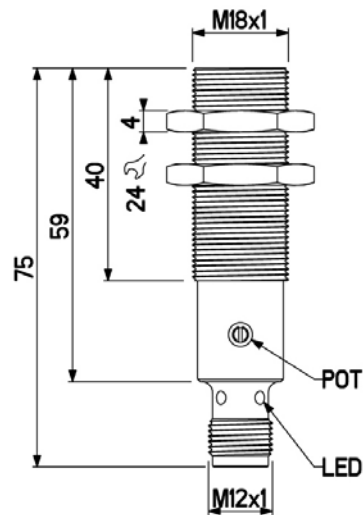
2 nickel-plated brass fixing nuts

E128R05M1870D1D

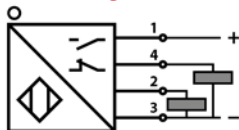
Direct reflex
M18



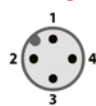
Dimensions :



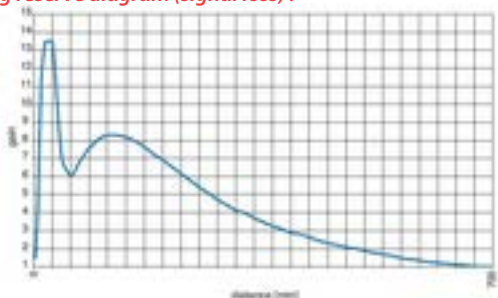
Connection diagram :



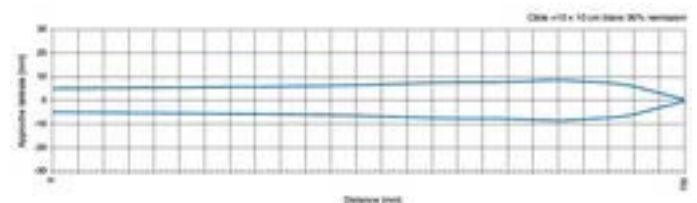
Pin assignment :



Operating reserve diagram (signal loss) :



Lateral approach diagram :



For uses in particularly harsh environments: Please enquire

We reserve the right to modify all or part of characteristics of our products without warning.

SENSTRONIC S.A.S. • 22 rue des Rustauds, 67700 MONSWILLER • Tél. +33 (0)3 88 71 26 33 • e-mail : contact@senstronic.com

Printed on:

11 mars 2015