

**Technical data :**

Rated operating distance (Sn)	0,3 m
Output type	PNP
Function	NO/NC
Operating voltage	10...30V DC
Operating current	200 mA
No-load consumption	< 30 mA
Voltage drop	< 2V
Residual current	< 70 µA
Ambient temperature range	-25...55 °C
Switching frequency	250 Hz
Power-on delay	< 300 ms
Detection range	0...0,3 m
Adjustment method	By potentiometer
Adjustment from 0,1 to 0,3 m	

**Optical characteristics :**

Light type	Infrared (850 nm)
Light spot typical diameter	30 mm (5,7°) @ 0,3 m
Ambient light immunity	15 klx

**Protection :**

Reverse polarity protection	
Short-circuit protection	
Overload protection	
IEC 61000-4-2 (ESD)	4kV Contact / 8kV Air
IEC 61000-4-4 (Burst)	2kV / 5kHz
IEC 61000-4-6 (RF conducted)	3V 150kHz...80MHz
Protection degree	IP67

**Materials :**

Housing	PA
Sensing face	PMMA

**Status indication :**

Power	Green LED
Output	Yellow LED
Alarm signal (Limit of detection)	Yellow LED (blinking)

**Connection :**

Connector	M12
Cable	PVC
Cable length	0,2 m
Cable protection	Aramid fibre (kevlar) braided sleeving

**Accessories (included) :**

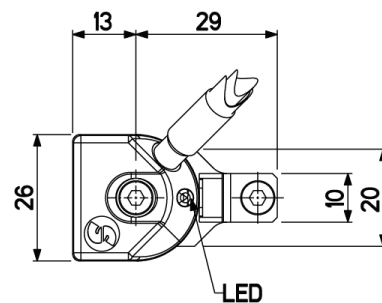
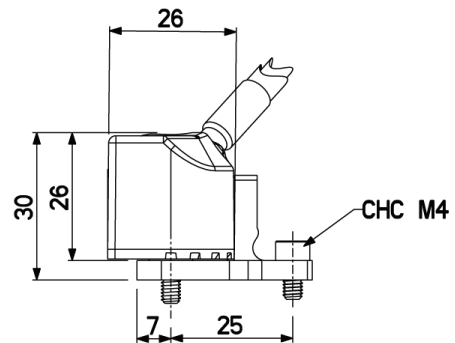
- 1 Q26 zamak holder
- 1 zinc-plated steel screw CHC M4-30 mm
- 1 zinc-plated steel screw CHC M4-8 mm
- 1 zinc-plated steel screw CHC M4-6 mm

## E128R02Q2630D2DTK

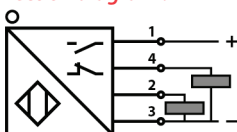
Welding environment  
Q26



**Dimensions :**



**Connection diagram :**



**Pin assignment :**

