

**Technical data :**

Rated operating distance (Sn)	up to 9000 mm depending on reflector used
Output type	PNP
Function	NO/NC
Operating voltage	10...30V DC
Operating current	200 mA
Non-Load consumption	< 30 mA
Voltage drop	< 2 V
Residual current	< 70 µA
Ambient temperature range	-25...55 °C
Switching frequency	250 Hz
Power-on delay	< 300 ms
Detection range	300...9000 mm depending on reflector used

**Optical characteristics :**

Light type	LASER (Class 2) Red (655 nm)
Ambient light immunity	5 klx

**Protection :**

Reverse polarity protection	
Short-circuit protection	
Overload protection	
IEC 61000-4-2 (ESD)	4kV Contact / 8kV Air
IEC 61000-4-4 (Burst)	2kV / 5kHz
IEC 61000-4-6 (RF conducted)	3V 150kHz...80MHz
Protection degree	IP67

**Materials :**

Housing	Brass, nickel-plated
Sensing face	PMMA

**Status indication :**

Output	Yellow LED
Alarm signal (Limit of detection)	Red LED

**Connection :**

Connector	M12
-----------	-----

**Accessories (included) :**

2 nickel-plated brass fixing nuts

**Accessories (not included) :**

See reflector selection table

**Remarks :**

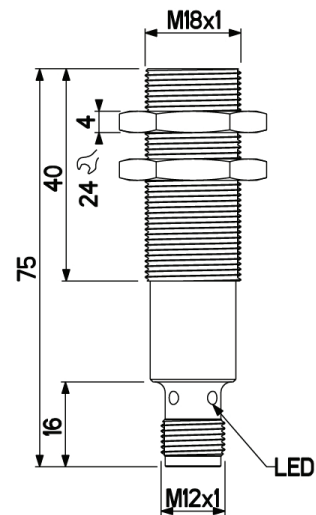
Photosensor adapted to detect reflective objects

## E128L05M188M01K

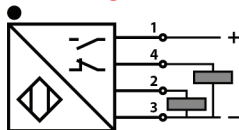
Reflector series  
M18



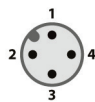
**Dimensions :**



**Connection diagram :**



**Pin assignment :**



**Reflector selection table :**

Réfecteurs / Reflectors	Distance / Distance
KC50	300...6000 mm
K50X60	300...7000 mm
KC83	300...8000 mm
K100X100	300...9000 mm