

Technical data :

Rated operating distance (Sn)	300 mm
Output type	PNP
Function	NO/NC
Operating voltage	10...30V DC
Operating current	200 mA
No-load consumption	< 30 mA
Voltage drop	< 2V
Residual current	< 70 µA
Ambient temperature range	0...45 °C
Switching frequency	1 kHz
Power-on delay	< 300 ms
Detection range	0...300 mm
Adjustment method	By potentiometer
Adjustment from 60 to 300 mm	

Optical characteristics :

Light type	LASER (Class 2) Red (670 nm)
Minimum target size	0,6 mm (*) for Sn < 300 mm
Ambient light immunity	5 klx

Protection :

Reverse polarity protection	
Short-circuit protection	
Overload protection	
IEC 61000-4-2 (ESD)	4 kV contact / 8kV air
IEC 61000-4-4 (Burst)	2kV / 5kHz
IEC 61000-4-6 (RF conducted)	3V 150kHz...80MHz
Protection degree	IP67

Materials :

Housing	Brass, nickel-plated
Sensing face	PMMA

Status indication :

Output	Yellow LED
Signal d'alarme (limite de détection)	Red LED

Connection :

Connector	M12
-----------	-----

Accessories (included) :

2 nickel-plated brass fixing nuts

(*) Test conditions :

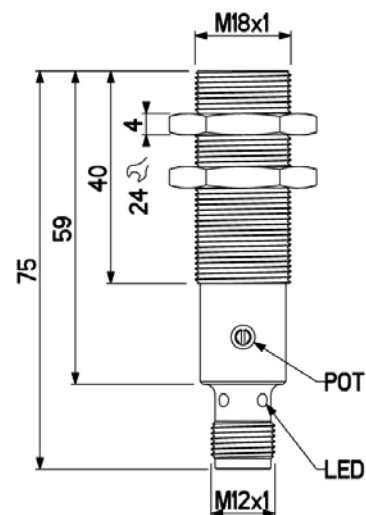
Stainless steel reflective target

E128L05M1820D1D

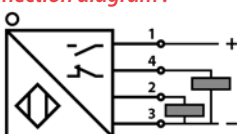
Direct reflex
M18



Dimensions :



Connection diagram :



Pin assignment :

