

**Technical data :**

Rated operating distance (Sn)	1600 mm
Output type	PNP
Function	NO/NC
Operating voltage	10...30V DC
Operating current	200 mA
No-load consumption	< 20 mA
Voltage drop	< 2V
Residual current	< 70 µA
Ambient temperature range	0...45 °C
Switching frequency	400 Hz
Power-on delay	< 300 ms
Detection range	0...1600 mm (*)
Adjustment method	By potentiometer
Adjustment from 200 to 1600 mm	

**Optical characteristics :**

Light type	LASER (Class 2) Red (655 nm)
Minimum target size	10 x 10 mm (*)
Ambient light immunity	5 klx

**Protection :**

Reverse polarity protection	
Short-circuit protection	
Overload protection	
IEC 61000-4-2 (ESD)	4 kV contact / 8kV air
IEC 61000-4-4 (Burst)	2kV / 5kHz
IEC 61000-4-6 (RF conducted)	3V 150kHz...80MHz
Protection degree	IP67

**Materials :**

Housing	Brass, nickel-plated
Sensing face	PMMA

**Status indication :**

Output	Yellow LED
Signal d'alarme (limite de détection)	Red LED

**Connection :**

Connector	M12
-----------	-----

**Accessories (included) :**

2 nickel-plated brass fixing nuts

**(\*) Test conditions :**

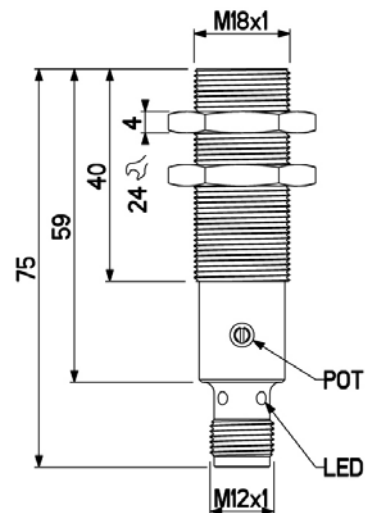
Detection: with white paper 10 cm x 10 cm, 90% remission  
Stainless steel reflective target

## E128L05M1816M1D

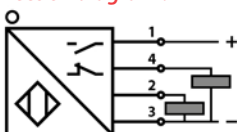
Direct reflex  
M18



**Dimensions :**



**Connection diagram :**



**Pin assignment :**

